

PRODUCT INFORMATION	
ITEM NUMBER(S)	PD-8929
ITEM DESCRIPTION	vacuum cleaner
1.1.A	<p>The unequivocal identification of the product (type of product, trademark, trade name, model and possibly serial number)</p> <p>cordless stick vacuum cleaner PD-8929, Brand: Tristar, trade name: smartwaresgroup; Serial number: TPO220826</p> <p>  Do not immerse in any liquid / Niet in water onderdompelen Ne pas plonger dans l'eau / Nicht ins Wasser hineintauchen </p> <p> Cordless Vacuum Cleaner flex tube Adapter input: 100-240V~ 50/60Hz 0.4A max Adapter output: 27.0V === 0.5A Battery: Li-Ion 22.2V === 2200 mAh rechargeable Model No.: PD-8927 Only use with supply unit: TYGSDC2700500 Batch No.: T20826 </p> <p>      </p> <p> Tristar Europe B.V. Jules Verneweg 87 5015 BH Tilburg The Netherlands www.tristar.eu </p>



Do not immerse in any liquid / Niet in water onderdompelen
 Ne pas plonger dans l'eau / Nicht ins Wasser hineintauchen

Cordless Vacuum Cleaner flex tube

Adapter input: 100-240V~ 50/60Hz 0.4A max

Adapter output: 27.0V === 0.5A

Battery: Li-Ion 22.2V === 2200 mAh rechargeable

Model No.: PD-8928

Only use with supply unit: TYGSDC2700500

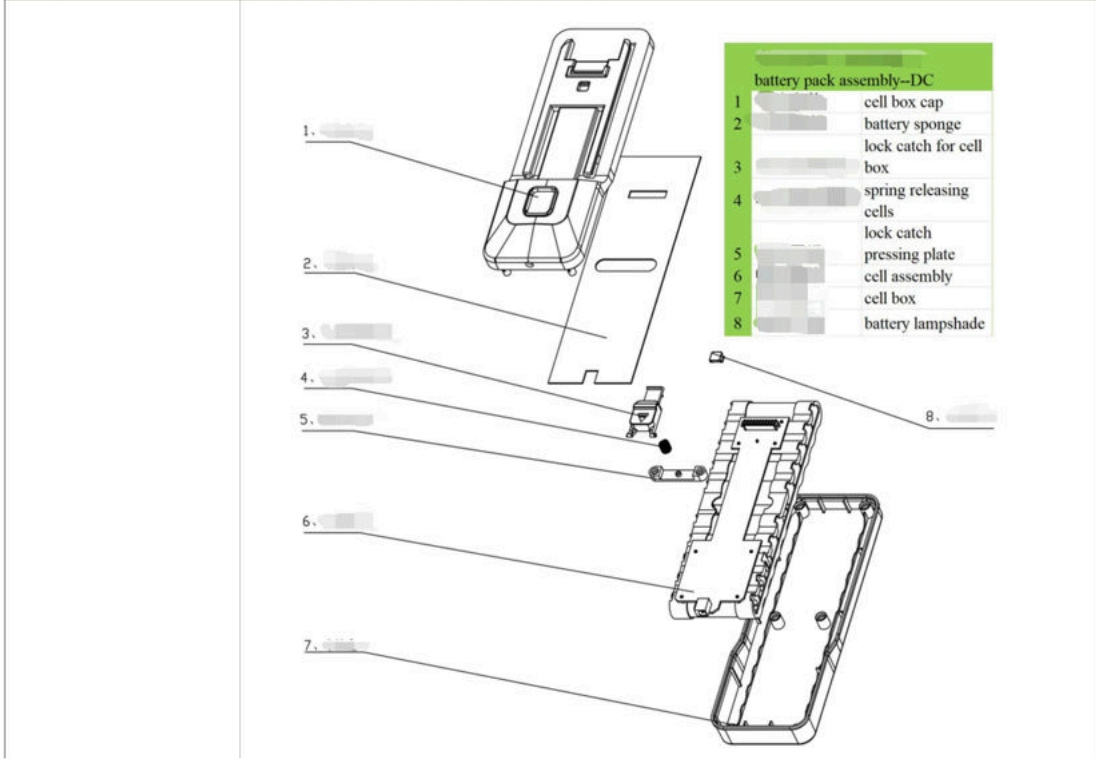
Batch No.: T20826



Tristar Europe B.V. Jules Verneweg 87
 5015 BH Tilburg | The Netherlands | www.tristar.eu

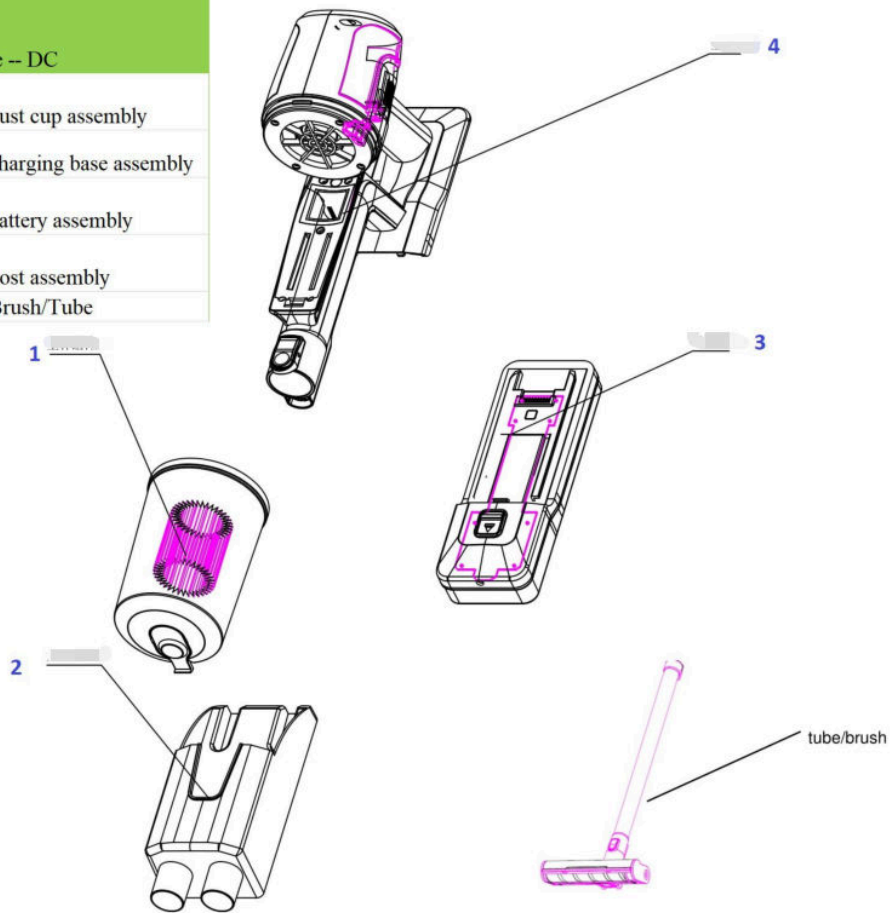
1.1.B

A disassembly map or exploded view

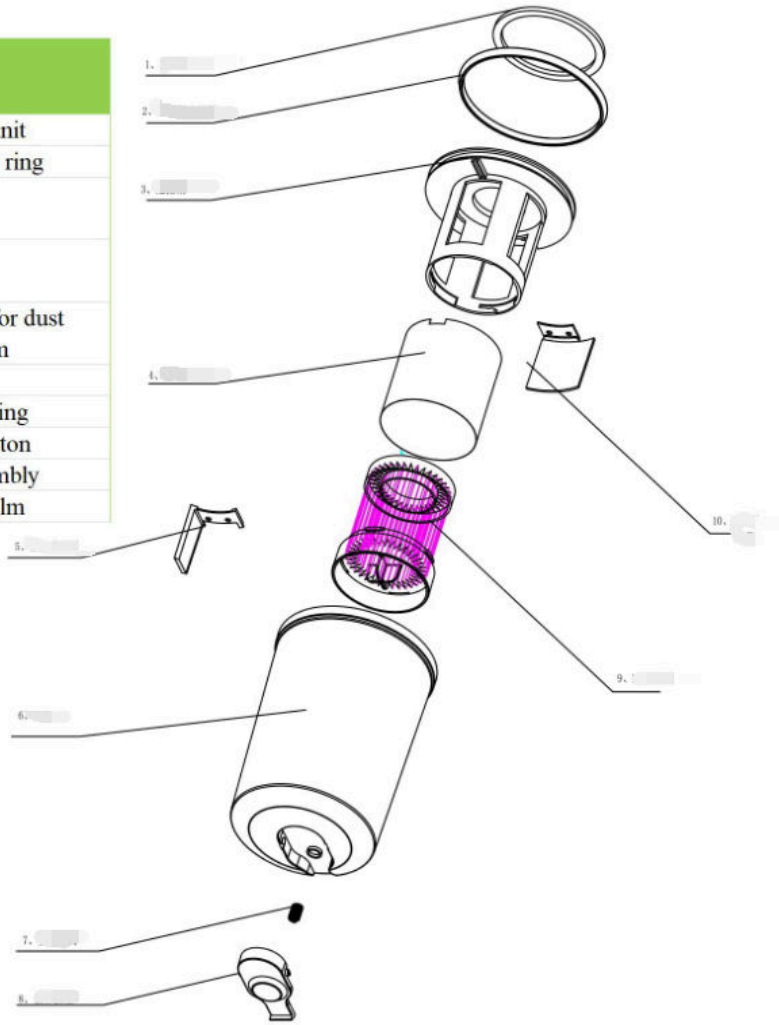


整机直流款--
complete machine -- DC

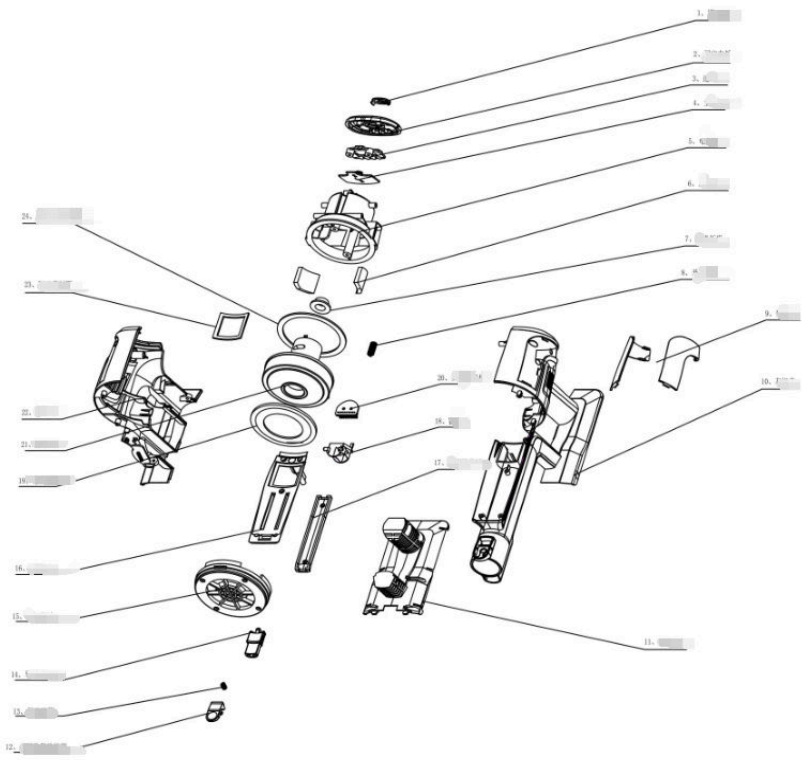
1	dust cup assembly
2	charging base assembly
3	battery assembly
4	host assembly
	Brush/Tube

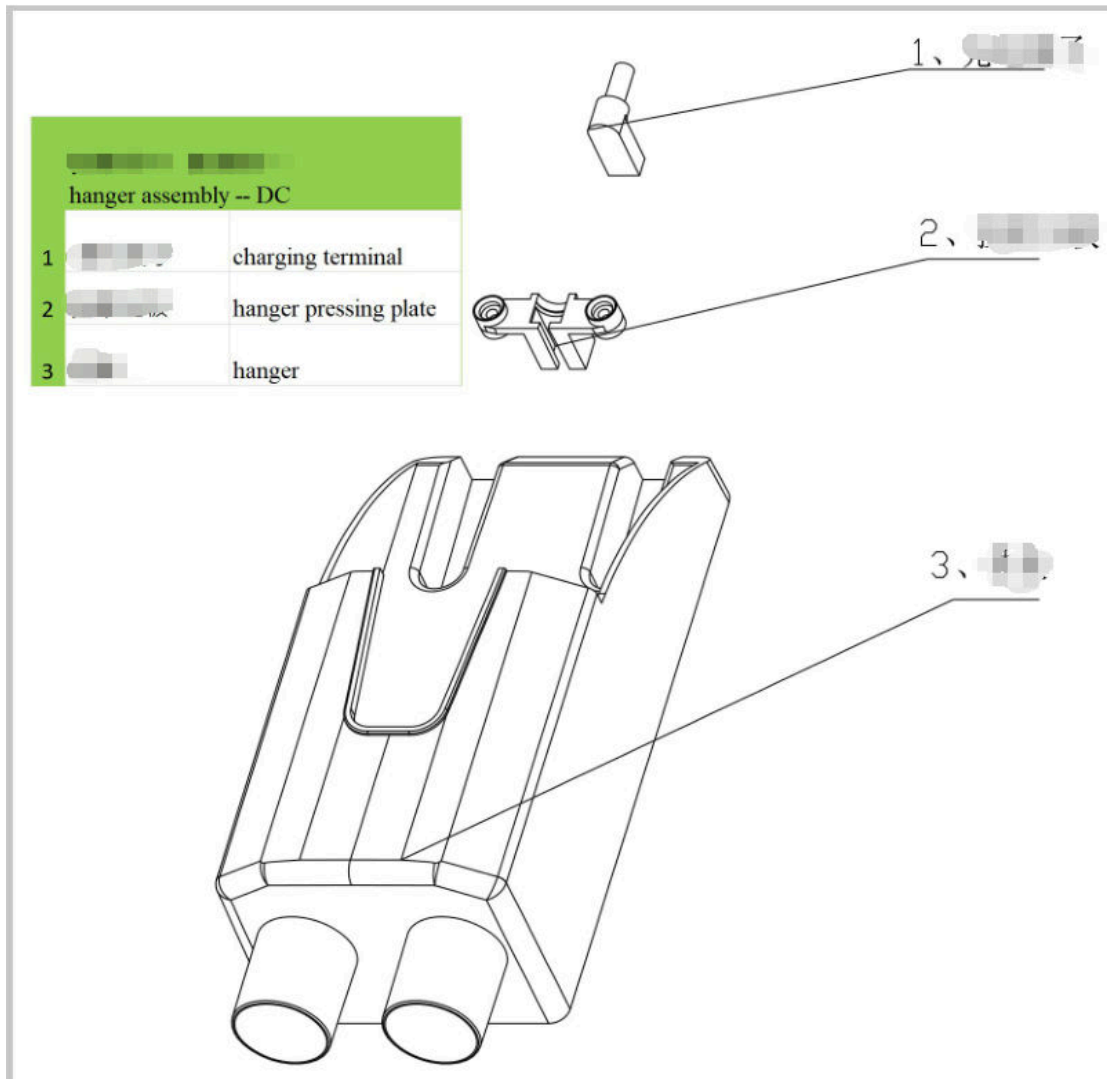


尘杯组件 直流款 dust cup assembly--DC	
1	EVA filter unit
2	filter sealing ring
3	filter unit
4	metal net
5	Press plate for dust blocking film
6	dust cup
7	dust cup spring
8	dust cup button
9	HEPA assembly
10	block dust film



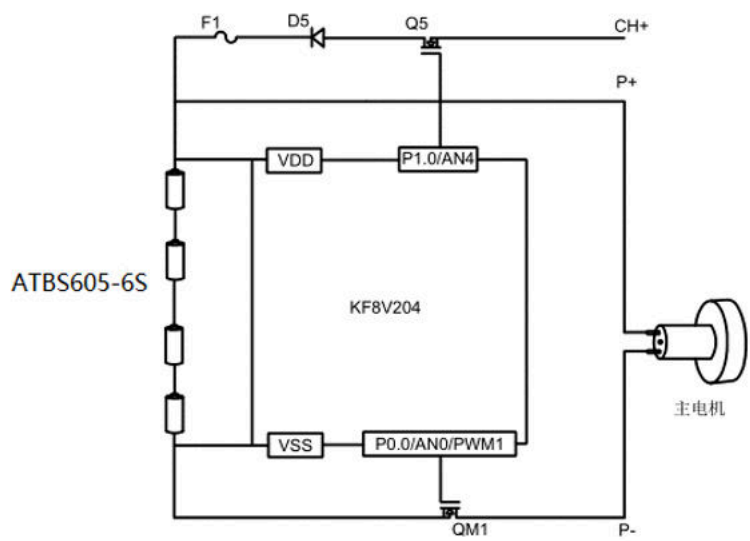
engine body assemble -- DC	
1	Speed knob
2	fixed splint
3	transparency
3	window
4	main control panel assembly
5	motor cover
6	wind output sponge
7	motor sole press
8	switch spring
9	decorative sheet
10	left casing
11	hand shank lining
12	metallic conduit
12	release button
13	releasing spring
13	conductive needle
14	fixing mount
15	motor cover plate
16	engine body cover plate
17	floor brush cover plate
17	plate
18	trigger
19	motor seal ring
20	set board assembly
21	main body
22	right casing
23	Suction seal ring
23	motor air outlet seal ring
24	ring



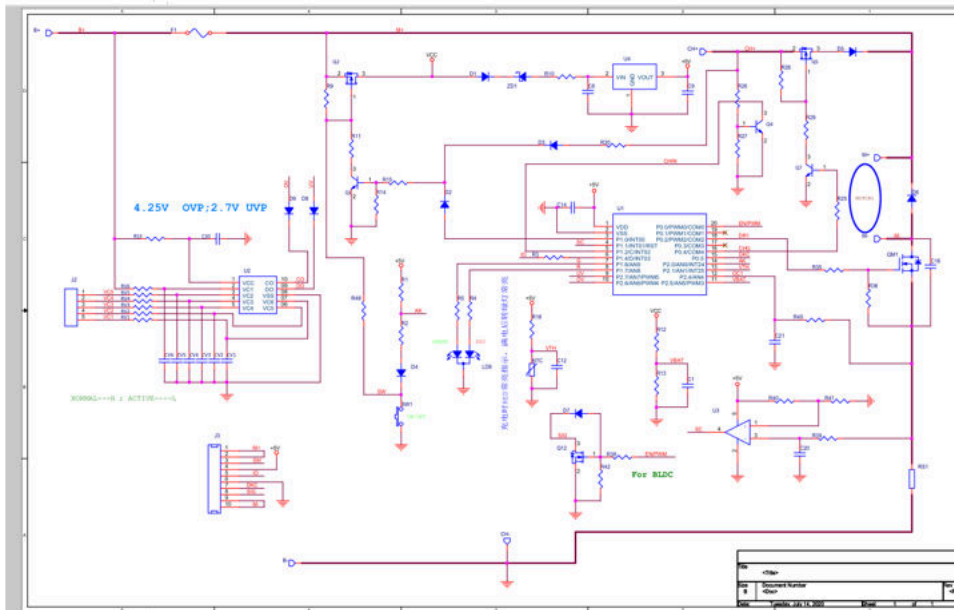


hanger assembly -- DC	
1	charging terminal
2	hanger pressing plate
3	hanger

1.1.C Wiring and connection diagrams



1.1.D Electronic boards diagrams



1.1.G Diagnostic fault and error codes

LED lights flash for different error codes

1. less power while using : LED lights flash until power off
2. high current protect: LED lights flash 10 times, then end.
3. wire loose: LED lights flash 1 time, and end.

1.1.H Component and diagnosis information

not applicable for this product

1.1.I Instructions for software and firmware (including reset software)

not applicable for this product

1.1.J Information on how to access data records of reported failure incidents stored on the product

not applicable for this product

1.1.K Technical bulletins

not applicable for this product

1.1.L Specific guidance for self-repair (recommended operations, safety and repair instruction, any implications for the guarantee)

not applicable for this product

1.1.M How to get access to professional repairers

not applicable for this product

1.1.N

Failures detection and required action (consumers approach)

1. The machine does not work.

The battery runs out—pls charge the battery.

2. The machine does not suck or gently sucks stuff.

The dust cup is full or blocked— empty the dust cup and the filters.

The dust cup is not correctly assembled—correctly place the container and solidly assemble it.

The filter need to be cleaned— follow the instructions how to clean the filter

3. The brush doesn't work

Check the roller is fixed correctly ---- correctly fixed the brush roller
The brush roller may be blocked by dust---- clean the roller and fix again

4. The machine can not be charged

The adaptor is not correctly connected with the socket—check whether the charger and socket is solidly connected.

The charger is wrong----use only with the charger which is complimentary in the package.

1.1.O

User and maintenance instructions



EN Instruction manual

Before assembly:

- To spinning the safety instructions the manufacturer cannot be held responsible for the damage.
- If the supply cord is damaged, it must be replaced by the manufacturer, its service agent or similarly qualified persons in order to avoid a hazard.
- If the appliance is damaged, do not use it.
- The appliance must be placed on a stable, level surface.
- The user must not leave the device unattended while it is connected to the supply if it made for.
- To protect yourself against an electric shock, do not immerse the cord, plug or appliance in the water or any other liquid.
- The plug must be removed from the socket outlet before cleaning or maintaining the appliance.

Children shall not play with the appliance... Do not attempt to open the rechargeable battery or battery pack as these are no accessible parts inside.

Do not expose the device to extreme temperatures... Do not attempt to touch up water for cleaning clothes only.

Do not use the device in wet areas... Do not use the device in wet areas.

Do not use the device in wet areas... Do not use the device in wet areas.

Do not use the device in wet areas... Do not use the device in wet areas.

Do not use the device in wet areas... Do not use the device in wet areas.

Do not use the device in wet areas... Do not use the device in wet areas.

Do not use the device in wet areas... Do not use the device in wet areas.

Do not use the device in wet areas... Do not use the device in wet areas.

Do not use the device in wet areas... Do not use the device in wet areas.

Do not use the device in wet areas... Do not use the device in wet areas.

Do not use the device in wet areas... Do not use the device in wet areas.

Do not use the device in wet areas... Do not use the device in wet areas.

Do not use the device in wet areas... Do not use the device in wet areas.

Do not use the device in wet areas... Do not use the device in wet areas.

Do not use the device in wet areas... Do not use the device in wet areas.

Do not expose the device to extreme temperatures...

Do not attempt to touch up water for cleaning clothes only.

Do not use the device in wet areas... Do not use the device in wet areas.

Do not use the device in wet areas... Do not use the device in wet areas.

Do not use the device in wet areas... Do not use the device in wet areas.

Do not use the device in wet areas... Do not use the device in wet areas.

Do not use the device in wet areas... Do not use the device in wet areas.

Do not use the device in wet areas... Do not use the device in wet areas.

Do not use the device in wet areas... Do not use the device in wet areas.

Do not use the device in wet areas... Do not use the device in wet areas.

Do not use the device in wet areas... Do not use the device in wet areas.

Do not use the device in wet areas... Do not use the device in wet areas.

Do not use the device in wet areas... Do not use the device in wet areas.

Do not use the device in wet areas... Do not use the device in wet areas.

Do not use the device in wet areas... Do not use the device in wet areas.

Do not use the device in wet areas... Do not use the device in wet areas.

Do not use the device in wet areas... Do not use the device in wet areas.

Do not use the device in wet areas... Do not use the device in wet areas.

Do not use the device in wet areas... Do not use the device in wet areas.

Do not use the device in wet areas... Do not use the device in wet areas.

Do not use the device in wet areas... Do not use the device in wet areas.

Do not use the device in wet areas... Do not use the device in wet areas.

Do not expose the device to extreme temperatures...

Do not attempt to touch up water for cleaning clothes only.

Do not use the device in wet areas... Do not use the device in wet areas.

Do not use the device in wet areas... Do not use the device in wet areas.

Do not use the device in wet areas... Do not use the device in wet areas.

Do not use the device in wet areas... Do not use the device in wet areas.

Do not use the device in wet areas... Do not use the device in wet areas.

Do not use the device in wet areas... Do not use the device in wet areas.

Do not use the device in wet areas... Do not use the device in wet areas.

Do not use the device in wet areas... Do not use the device in wet areas.

Do not use the device in wet areas... Do not use the device in wet areas.

Do not use the device in wet areas... Do not use the device in wet areas.

Do not use the device in wet areas... Do not use the device in wet areas.

Do not use the device in wet areas... Do not use the device in wet areas.

Do not use the device in wet areas... Do not use the device in wet areas.

Do not use the device in wet areas... Do not use the device in wet areas.

Do not use the device in wet areas... Do not use the device in wet areas.

Do not use the device in wet areas... Do not use the device in wet areas.

Do not use the device in wet areas... Do not use the device in wet areas.

Do not use the device in wet areas... Do not use the device in wet areas.

Do not use the device in wet areas... Do not use the device in wet areas.

Do not use the device in wet areas... Do not use the device in wet areas.

Do not expose the device to extreme temperatures...

Do not attempt to touch up water for cleaning clothes only.

Do not use the device in wet areas... Do not use the device in wet areas.

Do not use the device in wet areas... Do not use the device in wet areas.

Do not use the device in wet areas... Do not use the device in wet areas.

Do not use the device in wet areas... Do not use the device in wet areas.

Do not use the device in wet areas... Do not use the device in wet areas.

Do not use the device in wet areas... Do not use the device in wet areas.

Do not use the device in wet areas... Do not use the device in wet areas.

Do not use the device in wet areas... Do not use the device in wet areas.

Do not use the device in wet areas... Do not use the device in wet areas.

Do not use the device in wet areas... Do not use the device in wet areas.

Do not use the device in wet areas... Do not use the device in wet areas.

Do not use the device in wet areas... Do not use the device in wet areas.

Do not use the device in wet areas... Do not use the device in wet areas.

Do not use the device in wet areas... Do not use the device in wet areas.

Do not use the device in wet areas... Do not use the device in wet areas.

Do not use the device in wet areas... Do not use the device in wet areas.

Do not use the device in wet areas... Do not use the device in wet areas.

Do not use the device in wet areas... Do not use the device in wet areas.

Do not use the device in wet areas... Do not use the device in wet areas.

Do not use the device in wet areas... Do not use the device in wet areas.

Do not expose the device to extreme temperatures...

Do not attempt to touch up water for cleaning clothes only.

Do not use the device in wet areas... Do not use the device in wet areas.

Do not use the device in wet areas... Do not use the device in wet areas.

Do not use the device in wet areas... Do not use the device in wet areas.

Do not use the device in wet areas... Do not use the device in wet areas.

Do not use the device in wet areas... Do not use the device in wet areas.

Do not use the device in wet areas... Do not use the device in wet areas.

Do not use the device in wet areas... Do not use the device in wet areas.

Do not use the device in wet areas... Do not use the device in wet areas.

Do not use the device in wet areas... Do not use the device in wet areas.

Do not use the device in wet areas... Do not use the device in wet areas.

Do not use the device in wet areas... Do not use the device in wet areas.

Do not use the device in wet areas... Do not use the device in wet areas.

Do not use the device in wet areas... Do not use the device in wet areas.

Do not use the device in wet areas... Do not use the device in wet areas.

Do not use the device in wet areas... Do not use the device in wet areas.

Do not use the device in wet areas... Do not use the device in wet areas.

Do not use the device in wet areas... Do not use the device in wet areas.

Do not use the device in wet areas... Do not use the device in wet areas.

Do not use the device in wet areas... Do not use the device in wet areas.

Do not use the device in wet areas... Do not use the device in wet areas.



www.tristar.eu