

EN Instruction manual

SAFETY

- Please read this user's manual carefully to ensure proper use, maintenance and installation.
- By ignoring the safety instructions the manufacturer cannot be held responsible for the damage.
- The appliance is for indoor use only.
- Do not use the unit on a socket that is damaged or that has not been installed correctly.
- Do not use the unit:
 - near a source of fire.
 - in an area where oil is likely to splash.
 - in an area exposed to direct sunlight.
 - in an area where water is likely to splash, near a bath, a shower or a swimming pool.
- Never insert your fingers or objects into the air outlet. Take special care to warn children of these dangers.
- Keep the unit upright during transport and storage.
- Before cleaning the unit, always turn off or disconnect the power supply.
- Always turn off and disconnect the power supply before moving the unit.

- WARNING:** To avoid the risk of fire, do not cover the unit.
- All the unit sockets must comply with the local electric safety requirements. If necessary please check.
- If the power cord is damaged, it must be replaced by the manufacturer, service agent or qualified person(s) in order to avoid a hazard.
- This appliance can be used by children aged 8 years and above, persons with reduced physical, sensory, and mental capabilities or persons with a lack of experience and knowledge if they have been given correct supervision or instruction concerning the use of the appliance in a safe way and understand the hazards involved. Children should not play with the appliance. Cleaning and user maintenance should not be carried out by children without supervision.
- This appliance is only to be used for household purposes and only for the purpose it is made for.
- Notes:
 - In the case of any damage, please disconnect the power supply and contact the dealer or a designated repair shop.
 - In any case, the power cord shall be firmly grounded.
 - To avoid the possibility of danger, if the power cord is damaged, please disconnect the power supply. It must be replaced by the dealer or a designated repair shop.

- Warning**
- Please use the recommended defrosting and cleaning process from the manufacturer only. Do not accelerate the defrosting or cleaning process in any other way.
 - The appliance shall be stored in a room without continuously operating ignition sources (for example: open flames, an operating gas appliance or an operating electric heater).
 - Do not pierce or burn.
 - Be aware that refrigerants may not contain an odor.
 - The appliance should be installed, operated and stored in a room with a floor area larger than X m². (X=4 for 7000Btu/h)
 - Only contact an authorized service technician for repair or maintenance of this unit.
 - Do not pull, deform or modify the power supply cord or immerse in water. Pulling or misuse of the power supply cord could result in damage to the unit and cause an electrical shock.
 - Compliance with national gas regulations should be observed.
 - Keep ventilation openings clear of obstructions.
 - Any person who is involved with working on or opening a refrigerant circuit should hold a current valid certificate from an industry accredited assessment authority which

authorizes their competence to handle refrigerants safely in accordance with an industry recognized assessment specification.

- Do not stop the unit by pulling out the power plug whilst in operation as this may cause an electric shock or fire due to heat generation unless strange sounds are heard or if strange smells or smoke appear from the unit.



Specific information regarding appliances with R 290 refrigerant gas.

- Thoroughly read all of the warnings.
- When defrosting and cleaning the appliance, do not use any tools other than those recommended by the manufacturing company.
- The appliance should not be stored in a room with continuously operating ignition sources (for example: open flames, an operating gas appliance or an operating electric heater).
- Do not puncture and do not burn.
- This appliance contains Y g (see rating label back of unit) of R290 refrigerant gas.
- R290 is a refrigerant gas that complies with the European directives on the environment. Do not puncture any part of the refrigerant circuit.
- If the appliance is installed, operated or stored in a non-ventilated area, the room must be designed to prevent the accumulation of refrigerant leaks that could result in a fire risk or explosion due to ignition of the refrigerant caused by electric heaters, stoves, or other sources of ignition.
- The appliance must be stored in such a way as to prevent mechanical failure.
- Individuals who operate or work on the refrigerant circuit must have the appropriate certification issued by an accredited organization that ensures competence in handling refrigerants according to a specific evaluation recognized by associations in the industry.
- Repairs must be performed based on the recommendation from the manufacturing company. Maintenance and repairs that require the assistance of other qualified personnel must be performed under the supervision of an individual specified in the use of flammable refrigerants.

- Batteries**
- Do not expose the battery to high temperatures or direct sunlight. Never throw batteries into the fire. There is a danger of explosion!
 - Keep batteries away from children. Batteries are not a toy!
 - Do not open the batteries by force.
 - Avoid contact with metallic objects. (Rings, nails, screws et cetera) there is a danger of short-circuiting!
 - As a result of a short-circuit batteries may heat up considerably or even catch fire. This may result in burns.
 - For your safety the battery poles should be covered with adhesive strips during transport.
 - Do not touch a ruptured and/or leaking battery. If the liquid from the battery gets into your eyes, rinse your eyes as soon as possible with clean water, without rubbing your eyes. Immediately go to the hospital. If it is not treated properly, it can cause eye problems.
- Refrigerant**
(CE) N 842/2006: This unit contains the refrigerant R290. The amount of refrigerant is less than 1kg, and is in a closed cooling circuit. The coolant does have zero ozone depletion potential, but is a so-called greenhouse gas under the Kyoto Protocol and may thus contribute to global warming, if it is released to the atmosphere. Therefore only trained technicians with refrigerant certificate make a filling or emptying. Your appliance does not have to be refilled with refrigerant if used properly and has an undamaged coolant circuit. GWP: R290: 3



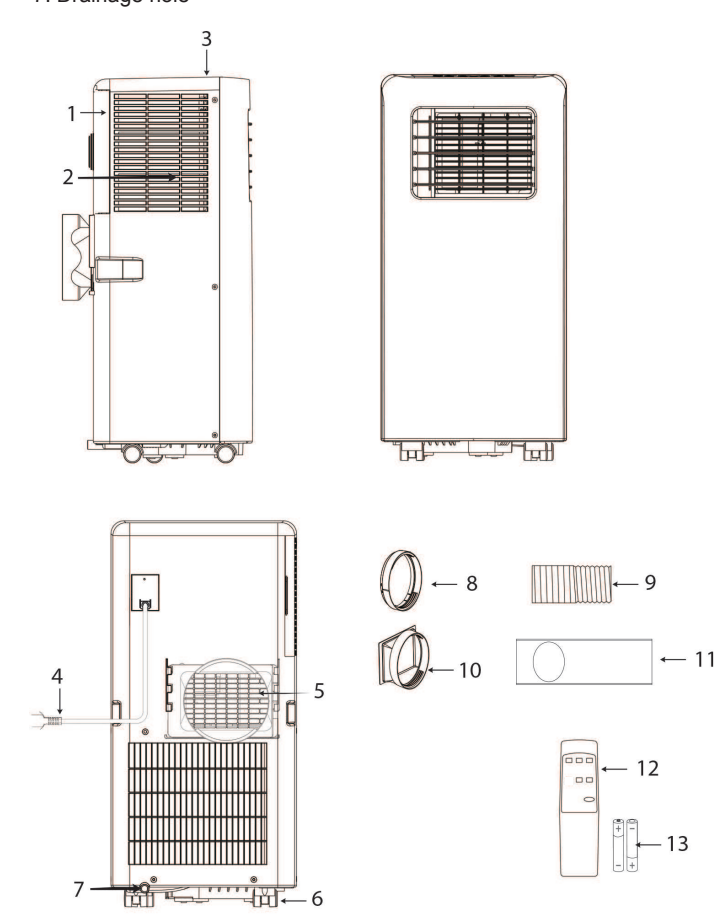
This product complies with conformity requirements of the applicable European regulations or directives.



Waste electrical products should not be disposed of with household waste. Please recycle where facilities exist. Check with your local Authority or local store for recycling advice.

PARTS DESCRIPTION	
1. Air inlet	8. Hose connector (window end)
2. Air filter	9. Hot-air exhaust hose
3. Control panel	10. Hose connector (Air conditioner end)
4. Power cord	11. Windows slider kit + fixing plugs

- 5. Air outlet
- 6. Castor
- 7. Drainage hole
- 12. Remote control
- 13. Batteries



- FUNCTION OF CONTROL PANEL**
- Power (on/off) button
 - Temperature buttons
 - Mode button
 - Fan speed adjustment button
 - Timer (on/off) button
-

- REMOTE CONTROL**
- Power (on/off) button
 - Timer button
 - Mode button
 - Fan speed adjustment button
 - Temperature up (+) button
 - Temperature down (-) button
-

- 2xAAA size batteries are required.
- Ensure batteries are inserted in the correct direction.
- When replacing, ensure both batteries are changed simultaneously.

- BEFORE THE FIRST USE**
- Before starting operations in this section:**
- Find a place where there is power supply nearby.
 - Install the exhaust hose and adjust the window position well.
 - The supplied small white clips must be mounted on the window kit.
 - Insert the power cord into a grounded AC220-240V~50Hz socket.
 - Press the power button to turn on the air-conditioner.
 - Set the temperature range: 16°C-31°C.
 - Check whether the exhaust hose has been mounted properly.
 - When using functions on cooling and dehumidifying, allow at least 3 minutes between powering off and powering on.

USING THE ON DEVICE BUTTONS

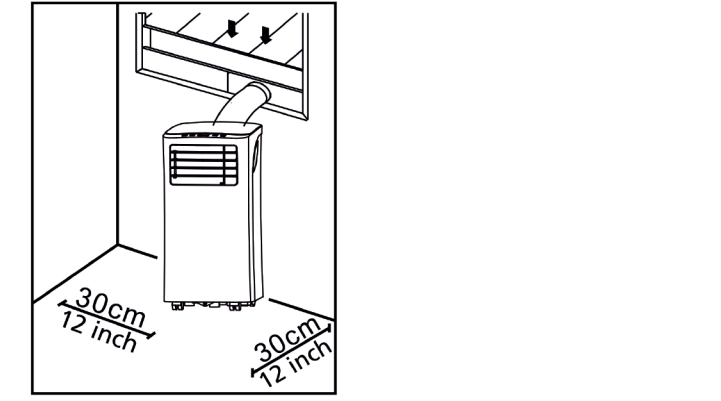
- Cooling operation**
- Press the "Mode" button till the "Cool" icon appears.
 - Press the + <Temperature up> or - <Temperature down> button to select a desired room temperature.
 - Allow around 5 minutes for the cooling to start.
 - Press the "Fan speed" button to adjust airflow speed.
- Dehumidifying operation**
- Press the "Mode" button until the "Dehumidify" icon appears.
 - The temperature will automatically be selected.
 - The fan speed will automatically be selected.
- Fan operation**
- Press the "Mode" button till the "Fan" icon appears.
 - Press the "Fan speed" button to adjust airflow speed.
- Timer operation**
- Timer ON setting**
- When the air-conditioner is OFF, press the "Timer" button and select a desired ON time and adjust by using the <Temperature up> and <Temperature down> buttons.
 - The ON time can be adjusted to anytime in 0-24 hours.
- Timer OFF setting**
- When the air-conditioner is ON, press the "Timer" button and select a desired OFF time and adjust by using the <Temperature up> and <Temperature down> buttons.
 - The OFF time can be adjusted to anytime in 0-24 hours.
- Drainage**
- After a lengthy operation and before storage, you will need to drain the water that has been collected. Please prepare a suitable location or tray to collect the water and remove the rubber stop from the drainage hole at the bottom of the unit. The water will then begin to drain. After this has stopped, you can insert the drain stop.

Internal Tank Water Full Alarm Function

- The inner water tank in the air-conditioner has one water level safety switch that controls the water level. When the water level reaches an anticipated height, the water full indicator lamp lights up. Follow previous steps to drain the water.

INSTALLATION

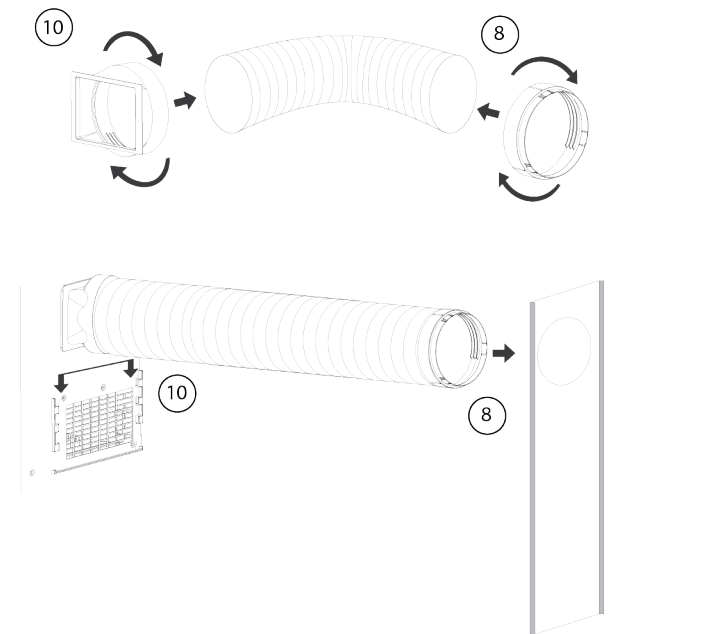
- The air-conditioner should be installed on a flat and stable surface. Do not block the air outlet and allow at least 30cm around the unit.



- Socket wiring should be in accordance with the local electric safety requirements.

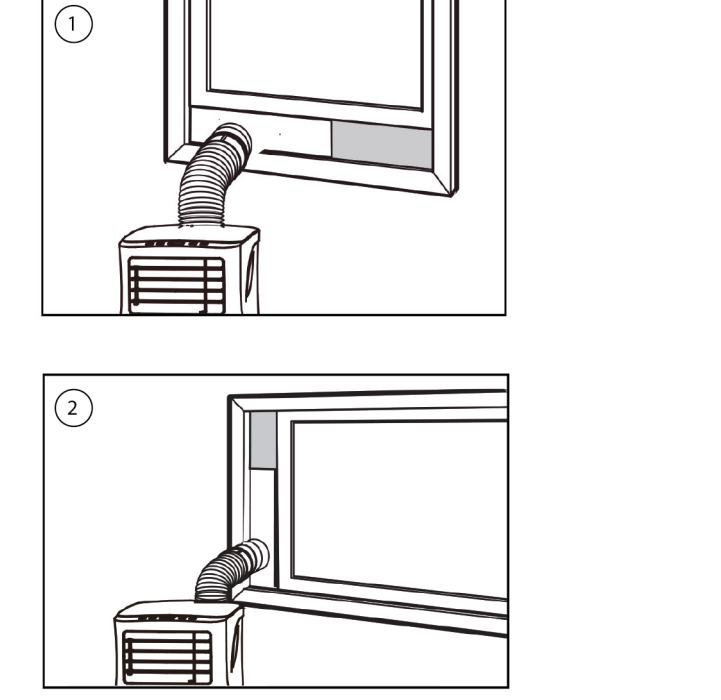
Exhaust Hose Installation

- Twist both ends of the hot-air exhaust hose(9) into the hose connector window end(8) and the hose connector air conditioner end(10).
- Insert the hose connector air conditioned end(10) into the openings at the back of the air conditioner.
- Fix the hose connector window end(8) to the nearest window sill.



Window Slider Kit Installation

- Adjust the width (picture 1) or height (picture 2) of the windows slider(11) to fit the window opening and fixate the position of the windows slider(11) with the fixing plugs.
- Slide the window up to the slider.



USING THE APPLIANCE WITH CLIMATE APP

- The appliance can be used manually with its built-in controls, remote control or you can use a smart phone or voice to control it. Before you begin, ensure the Homewizard Climate app is downloaded. The Homewizard Climate app is available on Android and iOS.
- Pair your appliance to HomeWizard Climate app**
- Make sure the appliance is powered.
- Open HomeWizard Climate APP.
- Create an account or if you already have a HomeWizard account, please log in using those details.
- Click "Add new Climate Device" to add a new device.
- Select the device you want to connect.
- Follow the instructions on the app to connect the appliance.

TABLE AC WIFI AC-5670 & AC-5670BS

Information requirements for single and double duct air conditioners				P
Information to identify the model(s) to which the information relates to:				
Description	Symbol	Value	Unit	
Rated capacity for cooling	Prated for cooling	2.10	kW	
Rated capacity for heating	Prated for heating	N/A	kW	
Rated power input for cooling	Peer	0.807	kW	
Rated power input for heating	Ppoo	N/A	kW	
Rated Energy efficiency ratio	EERd	2.60	-	
Rated Coefficient of performance	COPd	N/A	-	
Information to identify the model(s) to which the information relates to:				

Description	Symbol	Value	Unit
Power consumption in thermostat-off mode	Pto	-	W
Power consumption in standby mode	Psb	0.5/2.0 (with Wi-Fi)	W
Electricity consumption of single/double duct appliances (indicate for cooling and heating separately)	Qsd	SD: 0.807 (Cooling)	kWh/h
Sound power level	Lwa	65	dB(A)
Global warming potential	GWP	3	kgCO ₂ e q.

- CLEANING MAINTENANCE**
- Before cleaning, disconnect the unit from any electric supply outlet.
 - First clean the surface with a neutral detergent and wet cloth, and then wipe it with a dry cloth.
 - Do not use gasoline or other chemicals to clean the unit.
 - Do not wash the unit directly.
- Air filter**
- The air filter should be cleaned once every two weeks.
 - Open the air inlet grille and take off air filter.
 - Clean the air filter with neutral detergent in lukewarm 40°C water and allow to dry (not in direct sunlight).
 - Re-install the air filter into the inlet grille.

TROUBLESHOOTING

Troubles	Possible Causes	Suggested Remedies
The unit doesn't cool enough.	<ul style="list-style-type: none"> Water full indicator lamp blinks and water tank is full. Room temperature is higher than the setting temperature. (Electric heating mode) Room temperature is lower than the setting temperature. (Cooling mode) 	<ul style="list-style-type: none"> Drain the water out of the water tank. Adjust the temperature.
The unit doesn't cool enough.	<ul style="list-style-type: none"> The doors or windows are not closed. There are heat sources inside the room. Hot air exhaust hose is not connected or blocked. Temperature setting is too high. Air inlet is blocked. 	<ul style="list-style-type: none"> Make sure all the windows and doors are closed. Remove the heat sources if possible. Connect or clean the hot air exhaust hose. Reset the temperature. Clean the air inlet.
Noisy.	<ul style="list-style-type: none"> The ground is not level or not flat enough. The sound comes from the flowing of the refrigerant inside the air conditioner. 	<ul style="list-style-type: none"> Place unit on a flat, level ground if possible.
E0 Code.	Room temperature sensor failed.	Replace room temperature sensor.
E1 Code.	Condenser temperature sensor failed.	Replace condenser temperature sensor.
E2 Code.	Water tank full.	Please empty the water tank.
E3 Code.	Evaporator temperature sensor failed.	Replace evaporator temperature sensor.
E4. Code	Water tank full.	Please empty the water tank.

THE PRODUCT OR EQUIPMENT CONTAINS FLUORINATED GREENHOUSE GAS.

Art.nr.	AC-5670
Coolant:	R290
Quantity in kg:	0.14
Global Warming Potential:	3
CO2 Equivalent in tonnes:	0.00042

DECLARATION OF CONFORMITY

- Hereby, Smartwares Europe declares that the radio equipment type AC-5670 is in compliance with Directive 2014/53/EU
- The full text of the EU declaration of conformity is available at the following internet address: www.princesshome.eu/doc

ENVIRONMENT

This appliance should not be put into the domestic garbage at the end of its durability, but must be offered at a central point for the recycling of electric and electronic domestic appliances. This symbol on the appliance, instruction manual and packaging puts your attention to this important issue. The materials used in this appliance can be recycled. By recycling of used domestic appliances you contribute an important push to the protection of our environment. Ask your local authorities for information regarding the point of recollection.

The European directive for batteries (2006/66/EC) states that it is not permitted to throw batteries away with the household waste. They may contain substances which are harmful to the environment. Empty batteries can be handed over to a local, public collection point or a local recycling centre. To avoid overheating as a result of a short circuit, lithium batteries must be removed from the product and the poles must be protected using insulation tape or some other means against short-circuiting.

You can find all available information and spare parts at www.tristar.eu!

NL Gebruiksaanwijzing

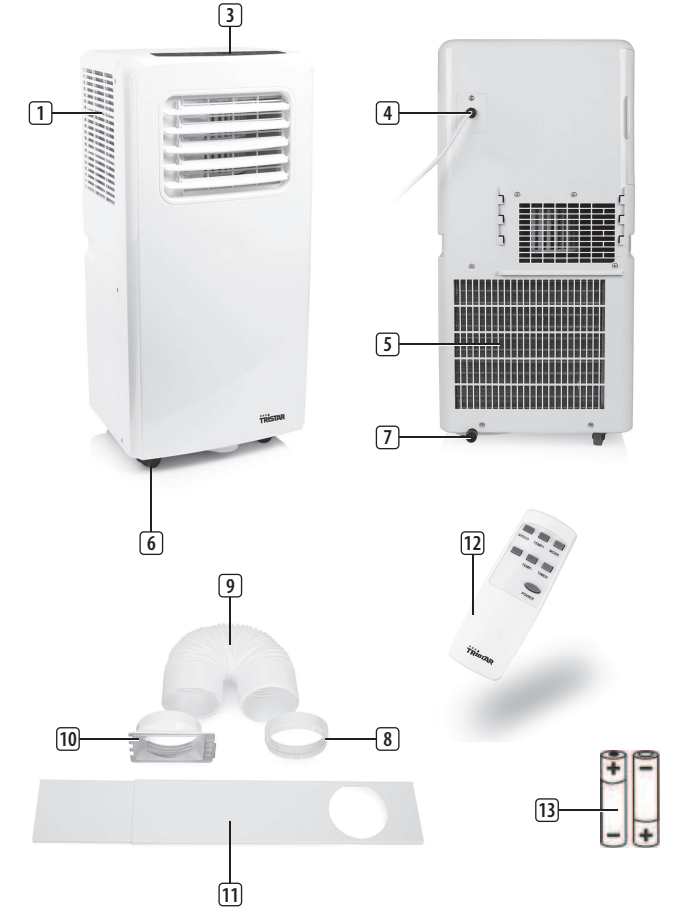
- VEILIGHEID**
- Lees deze gebruiksaanwijzing zorgvuldig door voor een correct(e) gebruik, onderhoud en installatie.
 - Als u de veiligheidsinstructies negeert, kan de fabrikant niet verantwoordelijk worden gehouden voor de mogelijke schade.
 - Het apparaat is alleen geschikt voor gebruik binnenshuis.
 - Sluit het apparaat niet aan op een stopcontact dat beschadigd is of niet correct is geïnstalleerd.
 - Gebruik het apparaat niet:
 - in de buurt van vuur.
 - in een gebied met een grote kans op spatende olie.
 - in een gebied dat wordt blootgesteld aan direct zonlicht.



- EN | Instruction manual
- NL | Gebruiksaanwijzing
- FR | Mode d'emploi
- DE | Bedienungsanleitung
- ES | Manual de usuario
- PT | Manual de utilizador
- IT | Manuele utente
- SV | Bruksanvisning
- PL | Instrukcja obsługi
- CS | Návod na použití
- SK | Návod na použitie

AC-5670

PARTS DESCRIPTION / ONDERDELENBESCHRIJVING / DESCRIPTION DES PIÈCES / TEILEBESCHREIBUNG / DESCRIPCIÓN DE LAS PIEZAS / DESCRIÇÃO DOS COMPONENTES / DESCRIZIONE DELLE PARTI / BESKRIVNING AV DELAR / OPIS CZĘŚCI / POPIS SOUČÁSTI / POPIS SOUČÁSTI



Wireless technology: Wi-Fi
Operating frequency: 2.4 Ghz
Max. radio-frequency power: 20.5dBm



WWW.TRISTAR.EU
Tristar Europe B.V. | Jules Verneweg 87
5015 BH Tilburg | The Netherlands

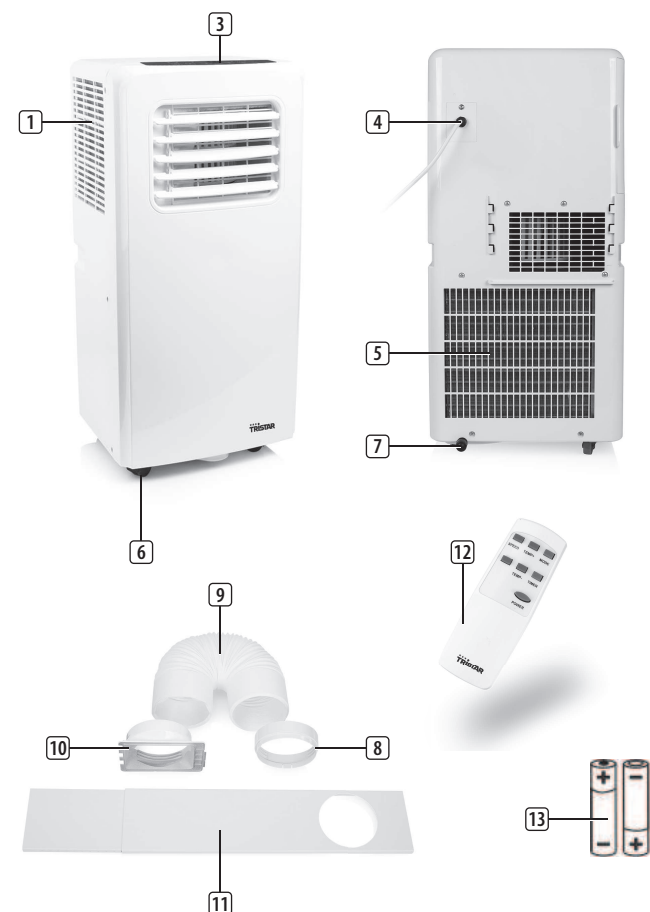


- EN | Instruction manual
- NL | Gebruiksaanwijzing
- FR | Mode d'emploi
- DE | Bedienungsanleitung
- ES | Manual de usuario
- PT | Manual de utilizador
- IT | Manuele utente
- SV | Bruksanvisning
- PL | Instrukcja obsługi
- CS | Návod na použití
- SK | Návod na použitie



AC-5670

PARTS DESCRIPTION / ONDERDELENBESCHRIJVING / DESCRIPTION DES PIÈCES / TEILEBESCHREIBUNG / DESCRIPCIÓN DE LAS PIEZAS / DESCRIÇÃO DOS COMPONENTES / DESCRIZIONE DELLE PARTI / BESKRIVNING AV DELAR / OPIS CZĘŚCI / POPIS SOUČÁSTI / POPIS SŮČÁSTI



Wireless technology: Wi-Fi
 Operating frequency: 2,4 Ghz
 Max. radio-frequency power: 20.5dBm

Spotreba energie v režime s vypnutým termostatom	Pto	-	W
Spotreba energie v pohotovostnom režime	Psb	0,5/2,0 (with Wi-Fi)	W
Spotreba elektrickej energie v prípade spotrebičov s jedným/ dvoma výdychmi (uvádza sa zvlášť pre chladenie a zvlášť pre kúrenie)	Qsd	SD: 0.807 (Cooling)	kW
Úroveň akustického výkonu	Lwa	65	dB (A)
Potenciál globálneho otepľovania	GWP	3	kgCO ₂ eq

ČISTENIE A ÚDRŽBA

- Pred čistením odpojte jednotku od akéhokoľvek elektrického napájania.
- Najprv vyčistite povrch neutrálnym saponátom a vlhkou utierkou a potom utrite suchou utierkou.
- Na čistenie jednotky nepoužívajte gazolin alebo iné chemikálie.
- Jednotku priamo neumývajte.
- Vzduchový filter**
 - Vzduchový filter by sa mal čistiť raz každé dva týždne.
 - Otvorte mriežku prívodu vzduchu a vyberte vzduchový filter.
 - Vyčistite vzduchový filter neutrálnym čistiacim prostriedkom vo vlažnej vode s teplotou 40 °C a nechajte ho vyschnúť (nie na priamom slnečnom svetle).
 - Znova nainštalujte vzduchový filter do prívodnej mriežky.

RIEŠENIE PROBLÉMOV

Problémy	Možné príčiny	Navrhovaná náprava
Jednotka sa nespustí, keď stlačíte tlačidlo napájania.	<ul style="list-style-type: none"> • Indikátor naplnenia vodou bliká a nádoba na vodu je plná. • Teplota v miestnosti je vyššia ako nastavená teplota. (Režim elektrického ohrevu) • Teplota v miestnosti je nižšia, ako nastavená teplota. (Režim chladenia) 	<ul style="list-style-type: none"> • Vodu vypustite z nádoby na vodu. • Nastavte teplotu.
Jednotka nechladí dostatočne.	<ul style="list-style-type: none"> • Dvierka alebo okná nie sú zavreté. • Vnútri miestnosti sú zdroje tepla. • Hadica výstupu horúceho vzduchu nie je pripojená alebo je zablokovaná. • Nastavenia teploty sú príliš vysoké. • Prívod vzduchu je zablokovaný. 	<ul style="list-style-type: none"> • Ubezpečte sa, že sú všetky okná a dvere zavreté. • Odstráňte zdroje tepla, ak je to možné. • Pripojte alebo vyčistite hadicu výstupu horúceho vzduchu. • Resetujte teplotu. • Vyčistite prívod vzduchu.
Hlučné.	<ul style="list-style-type: none"> • Podlaha nie je vyrovnaná alebo nie je dostatočne plochá. • Zvuk vydáva prietok chladiva vnútri klimatizácie. 	<ul style="list-style-type: none"> • Jednotku dajte na plochý, rovný povrch, ak je to možné.
Kód E0.	<ul style="list-style-type: none"> • Senzor izbovej teploty zlyhal. 	<ul style="list-style-type: none"> • Vymeňte senzor izbovej teploty.
Kód E1	<ul style="list-style-type: none"> • Porucha senzora teploty kondenzátora 	<ul style="list-style-type: none"> • Vymeňte senzor teploty kondenzátora.
Kód E2.	<ul style="list-style-type: none"> • Nádrž na vodu je plná. 	<ul style="list-style-type: none"> • Vyprázdnite nádrž na vodu.
Kód E3	<ul style="list-style-type: none"> • Senzor odparovania teploty zlyhal. 	<ul style="list-style-type: none"> • Vymeňte senzor odparovania teploty.
Kód E4	<ul style="list-style-type: none"> • Nádrž na vodu je plná 	<ul style="list-style-type: none"> • Vyprázdnite nádrž na vodu.

PRODUKT ALEBO ZARIADENIE OBSAHUJE FLUÓROVANÉ SKLENÍKOVÉ PLYNY.

Č. položky	AC-5670
Chladivo:	R290
Množstvo v kg:	0.14
Potenciál globálneho otepľovania:	3
Ekvivalent v CO2 v tonách:	0.00042

VYHLÁSENIE O ZHODE

- Spoločnosť Smartwares Europe týmto vyhlasuje, že typ AC-5670 rádiového zariadenia je v súlade so smernicou 2014/53/EU
- Plné znenie EU prehlásenia o zhode je dostupné na internetovej adrese: www.princesshome.eu/doc

PROSTREDIE

Toto zariadenie by sa nemalo dávať do domového odpadu po skončení životnosti, musí sa odovzdať v recyklačnom centre, kde sa recyklujú elektrické a elektronické domáce zariadenia. Tento symbol na spotrebiči, v návode na obsluhu a na obale upozorňuje na túto dôležitú skutočnosť. Materiály použité v tomto spotrebiči je možné recyklovať. Recykláciou použitých domácich spotrebičov výraznou mierou prispievate k ochrane životného prostredia. Informácie o zberných miestach vám poskytnú miestne úrady.

Európska smernica pre batérie (2006/66/EC) hovorí, že je povolené zahadzovať batérie spolu s domovým odpadom. Môžu obsahovať látky, ktoré sú škodlivé pre životné prostredie. Vybité batérie môžete odovzdať na miestnych, verejných zberných miestach alebo v miestnom recyklačnom stredisku. Ak sa chcete vyhnúť prehriatiu v dôsledku skratu, litiové batérie sa musia z produktu vybrať a póly sa musia chrániť pred skratom pomocou izolačnej pásky alebo nejakým iným spôsobom.

Všetky dostupné informácie a náhradné diely môžete nájsť na www.tristar.eu!



WWW.TRISTAR.EU



Tristar Europe B.V. | Jules Verneweg 87
 5015 BH Tilburg | The Netherlands