

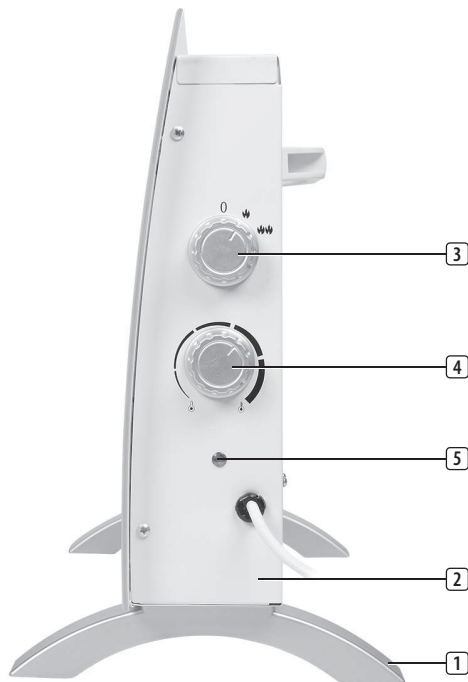


EN | Instruction manual



**KA-5080BS**

**PARTS DESCRIPTION**



**SAFETY**

- By ignoring the safety instructions the manufacturer cannot be held responsible for the damage.
- If the supply cord is damaged, it must be replaced by the manufacturer, its service agent, or similarly qualified persons in order to avoid a hazard.
- Never move the appliance by pulling the cord and make sure the cord cannot become entangled.
- The appliance must be placed on a stable, level surface.
- The user must not leave the device unattended while it is connected to the supply.
- This appliance is only to be used for household purposes and only for the purpose, it is made for.
- This appliance shall not be used by children aged less than 8 years. This appliance can be used by children aged from 8 years and above and persons with reduced physical, sensory or mental capabilities or lack of experience and knowledge if they have been given supervision or instruction concerning use of the appliance in a safe way and

understand the hazards involved. Children shall not play with the appliance. Keep the appliance and its cord out of reach of children aged less than 8 years. Cleaning and user maintenance shall not be made by children unless older than 8 and supervised.

- To protect yourself against an electric shock, do not immerse the cord, plug, or appliance in the water or any other liquid.
- **WARNING:** Some parts of this product can become very hot and cause burns. Particular attention has to be given where children and vulnerable people are present.



- **WARNING:** In order to avoid overheating, do not cover the heater.
- Children aged from 3 years and less than 8 years shall only switch on/off the appliance provided that it has been placed or installed in its intended normal operating position and they have been given supervision or instruction concerning use of the appliance in a safe way and understand the hazards involved. Children aged from 3 years and less than 8 years shall not plug in, regulate and clean the appliance or perform user maintenance.

- Children of less than 3 years should be kept away unless continuously supervised.
- Do not use the appliance with a programmer, timer, separate remote-control system, or any other device that switches the heater on automatically, since a fire risk exists if the heater is covered or positioned incorrectly.
- Do not use this heater in the immediate surroundings of a bath, a shower, or a swimming pool.
- Please do not install the appliance close to curtains and other combustible materials. This could cause a fire.
- The heater must not be located immediately below a socket outlet.
- The heater needs to be installed so that the switches and other controls cannot be touched by a person in the bath or shower.



This product complies with conformity requirements of the applicable European Regulations or Directives.



This product complies with conformity requirements of the applicable UK Regulations.



Waste electrical products should not be disposed of with household waste. Please recycle where facilities exist. Check with your Lokal Authority or local store for recycling advise.

### **Cleaning and maintenance**

- Before cleaning, unplug the appliance and wait for the appliance to cool down.
- Clean the appliance with a damp cloth. Never use harsh and abrasive cleaners, scouring pad or steel wool, which damages the device.
- Clean the two air outlets (above and below) by using a vacuum cleaner to remove dust from inside.

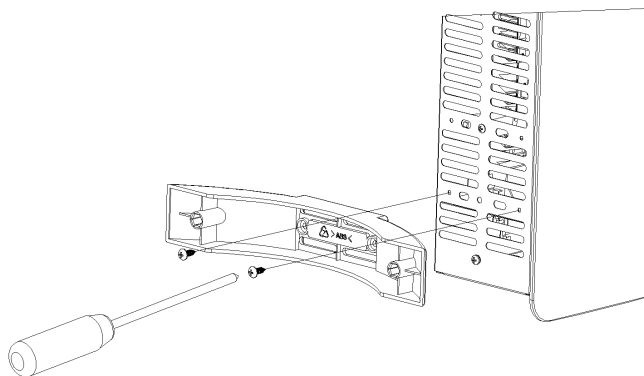
## PARTS DESCRIPTION

1. Feet
2. Unit
3. Heat level knob
4. Thermostat knob
5. Indicator light

## BEFORE THE FIRST USE

### Assembly of the feet

- Turn the heater on its side and screw on the included feet with the supplied screws.



- Place the device on a flat stable surface and ensure a minimum of 10 cm. free space around the device. This device is not suitable for installation in a cabinet or for outside use.

- Put the power cable into the socket. (Note: Make sure the voltage which is indicated on the device matches the local voltage before connecting the device. Voltage 220V-240V 50/60Hz)
- When the device is turned on for the first time, a slight odour will occur. This is normal, ensure adequate ventilation. This fragrance is only temporary and will disappear soon.

## USE

- Insert the plug of the heater into a suitable socket.
- Turn the thermostat knob in a clockwise direction to the maximum setting.
- Turn the heat level knob in the clockwise direction and select the desired heating power.
- When the desired room temperature has been reached turn the thermostat knob slowly anti-clockwise until the thermostat makes a click-off noise and the indicator light goes out. The heater will now keep the air temperature in the room at the set temperature by switching on and off automatically.
- Never place objects on the heater, such as clothing or towels. Never use the heater in the bathroom or other wet areas. The air outlets of the heater can be very hot.

## ENVIRONMENT



■ This appliance should not be put into the domestic garbage at the end of its durability, but must be offered at a central point for the recycling of electric and electronic domestic appliances. This symbol on the appliance, instruction manual and packaging puts your attention to this important issue. The materials used in this appliance can be recycled. By recycling of used domestic appliances you contribute an important push to the protection of our environment. Ask your local authorities for information regarding the point of recollection.

### Support

You can find all available information and spare parts at [www.tristar.eu](http://www.tristar.eu)!





This product is only suitable for well insulated spaces or occasional use.



EU Address:  
Smartwares Europe  
Jules Verneweg 87  
5015BH Tilburg  
Netherlands



UK Address:  
Smartwares Safety and Lighting Ltd.  
Meriden House, 6 Great Cornbow  
Halesowen, West Midlands, B63 3AB  
United Kingdom