



EN | Instruction manual



DH-5516BS

PARTS DESCRIPTION



SAFETY

- Please read this user's manual carefully to ensure proper use, maintenance and installation.
- By ignoring the safety instructions the manufacturer cannot be held responsible for the damage.
- The appliance is for indoor use only.
- Do not use the unit on a socket under repairs or not installed properly.
- Do not use the unit:
 - near a source of fire.
 - in an area where oil is likely to splash.
 - in an area exposed to direct sunlight.
 - in an area where water is likely to splash.
 - near a bath, a shower or a swimming pool.
- Never insert your fingers or any other object into the air outlet. Take special care to warn children of these dangers.
- Keep the unit upward while transport and storage.
- Before cleaning or moving the unit, always turn off or disconnect the power supply.
- If the supply cord is damaged, it must be replaced by the manufacturer, its service agent or similarly qualified persons in order to avoid a hazard.
- Never move the appliance by pulling the cord and make sure the cord cannot become entangled.
- The appliance must be placed on a stable, level surface.
- This appliance is only to be used for household purposes and only for the purpose it is made for.
- The appliance shall be installed in accordance with national wiring regulations.
- Notes:
 - Contact the dealer or a designated repair shop if any parts are damaged;
 - In case of any damage, please turn off the unit, disconnect the power supply and contact the dealer or a designated repair shop.
 - In any case, the power cord shall be firmly grounded.
 - This appliance shall not be used by children aged less than 8 years. This appliance can be used by children aged from 8 years and above and persons with reduced physical,

sensory or mental capabilities or lack of experience and knowledge if they have been given supervision or instruction concerning use of the appliance in a safe way and understand the hazards involved. Children shall not play with the appliance. Keep the appliance and its cord out of reach of children aged less than 8 years. Cleaning and user maintenance shall not be made by children unless older than 8 and supervised.

Warning

- To protect yourself against an electric shock, do not immerse the cord, plug or appliance in the water or any other liquid.
 - The appliance shall be stored in a room without continuously operating ignition sources (for example: open flames , an operating gas appliance or an operating electric heater).
 - Do not pierce or burn.
 - Be aware that refrigerants may not contain an odor.
 - Contact authorized service technician for repair or maintenance of this unit.
- Do not pull , deform or modify the power supply cord , or immerse it in water . Pulling or misuse of the power supply cord can result in damage to the unit and cause electrical shock.
 - Compliance with national gas regulations shall be observed.
 - Keep ventilation openings clear of obstructions.
 - Any person who is involved with working on or opening a refrigerant circuit should hold a current valid certificate from an industry accredited assessment authority which authorizes their competence to handle refrigerants safely in accordance with an industry recognized assessment specification.
 - Servicing should only be performed as recommended by the equipment manufacturer. Maintenance and repair requiring the assistance of other skilled personnel should be carried out under the supervision of a person(s) competent in the use of flammable refrigerants.
 - Do not stop the unit by pulling out the power plug whilst in operation as this may cause an electric shock or fire due to heat generation

unless strange sounds are heard or if strange smells or smoke appear from the unit.

- Unplug the unit if strange sounds, smell, or smoke comes from it.



Caution

- Please make sure the product ventilates all the time, make sure the inlet and outlet ventilation are not blocked in any way.
- Operate this unit on a horizontal surface to avoid water leakage.
- Do not operate this unit in an explosive or corrosive atmosphere.
- Operate this unit in an ambient of 35 degree centigrade or less.
- When the unit is shut off, please wait at least 3.5 minutes before restarting. This to prevent the compressor from being damaged.

- To avoid the household electricity block out, please do not use any extension cord for this unit.

Refrigerant

Specific information regarding appliances with R 290 refrigerant gas.

- Thoroughly read all of the warnings.
- When defrosting and cleaning the appliance, do not use any tools other than those recommended by the manufacturing company.
- The appliance must be placed in an area without any continuously sources of ignition (for example: open flames, gas or electrical appliances in operation).
- Do not puncture and do not burn.
- This appliance contains Y g (see rating label back of unit) of R290 refrigerant gas.
- R290 is a refrigerant gas that complies with the European directives on the environment. Do not puncture any part of the refrigerant circuit.
- If the appliance is installed, operated or stored in a non-ventilated area, the room must be designed to prevent to the accumulation of refrigerant leaks that could

result in a fire risk or explosion due to ignition of the refrigerant caused by electric heaters, stoves, or other sources of ignition.

- The appliance must be stored in such a way as to prevent mechanical failure.
- Individuals who operate or work on the refrigerant circuit must have the appropriate certification issued by an accredited organization that ensures competence in handling refrigerants according to a specific evaluation recognized by associations in the industry.
- Repairs must be performed based on the recommendation from the manufacturing company. Maintenance and repairs that require the assistance of other qualified personnel must be performed under the supervision of an individual specified in the use of flammable refrigerants.
- Appliance shall be installed, operated and stored in a room with a floor area larger than 5 m².

(CE) N 842/2006: This unit contains the refrigerant R290. The amount of refrigerant is less than 1kg, and is in a closed cooling circuit. The coolant does have zero ozone depletion potential, but is a so-called greenhouse gases under the Kyoto Protocol and may thus contribute to global warming, if it is released to the atmosphere. Therefore only

trained technicians with refrigerant certificate make a filling or emptying. Your appliance does not have be refilled with refrigerant if used properly and has an undamaged coolant circuit. GWP: R290: 3



- **WARNING:** In order to avoid overheating, do not cover the heater.

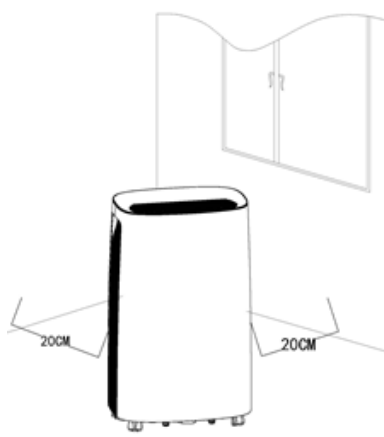
PARTS DESCRIPTION

1. Control panel
2. Air outlet louvres
3. Filter covering
4. Air filter
5. Drainage tank
6. Water outlet
7. Drainage hose

BEFORE THE FIRST USE

- Place the unit in the correct upright position before unpacking.
- Take the appliance and accessories out the box. Remove the stickers, protective foil or plastic from the device.
- Before using your appliance for the first time, wipe off all removable parts with a damp cloth. Never use abrasive products.
- Please ensure the unit is not placed against objects which will obstruct air intake e.g. furniture or curtains as this will affect its performance dramatically.

- Please don't place or operate the unit in a narrow place
- Do not place the unit in full sun as it might shut down due to overheat and the color of the unit may soon fade out.
- A distance of 20cm minimum must be kept between the unit and the wall or any other obstacles.

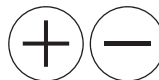


- Put the power cable into the socket. (Note: Make sure the voltage which is indicated on the device matches the local voltage before connecting the device. Voltage 220V-240V 50Hz).

USING THE CONTROL PANEL



- **Power** - Touch once to switch the appliance on, touch again to switch the appliance to standby.
- **Power indicator** – Illuminates when the appliance is plugged in.



- **Plus and Minus** – Touch the + or – icons to increase or decrease the time between 01-24 hours or to adjust the humidity level between 40% and 80% with 5% intervals.



- **Fan Speed** - Touch to switch between HIGH and LOW fan speeds.
- **Fan speed indicators** – Indicates the selected fan speed.



- **Humidity** – Touch to change the humidity level then use the + and – icons to increase or decrease the humidity level between 40% and 80% with 5% intervals.

After operating for a period in an environment where the humidity level is 2 % lower than the selected humidity level, the compressor will stop then the fan will continue to run for 3 minutes before stopping. When the humidity of the environment is equal to or higher than the selected humidity by 2%, the compressor will restart after 3 minutes.



Humidity and Timer display – When the appliance is turned on, it displays the current humidity level in the room. When the humidity level is adjusted, the selected humidity will blink shortly on the display then current humidity level be shown.

When the humidity level in the room is lower than 35%, it will show "35". When the humidity level in the room is higher than 95%, it will show "95".

When setting the timer, the timer will blink shortly in the display then be shown for a few seconds before the display reverts to showing the current humidity level.



- **Timer** - to set a scheduled time for the appliance to switch on or to standby.
- **Timer indicator** – Illuminates when the timer is activated.

The timer can be set between 01-24 hours.

- To set the time for the appliance to switch on, while the appliance is on standby, touch the timer icon, the timer indicator will illuminate, then use the + and - icons to set the time. The time in the display will blink for 5 seconds then stop. The time indicator will remain illuminated until the appliance turns on.
- To set the time for the appliance to switch off, while the appliance is in operation, touch the timer icon, the timer indicator will illuminate, then use the + and - icons to set the time. The time in the display will blink for 5 seconds before it reverts to showing the current room temperature. The time indicator will remain illuminated until the appliance turns off.
- To cancel the timer programming touch the timer icon twice, the timer indicator will go out and the timer will no longer be active.

Note: The programmed time remains unchanged if the machine stops operating due to a full tank or during defrosting.



- **Child Lock** - Touch and hold the Child Lock icon for 5 seconds to activate the Child Lock feature, all other functions will not work when activated, to disable the Child Lock touch the Child Lock icon again for 5 seconds.
- **Child Lock indicator** – Illuminates when the Child Lock is on.
- **WATER FULL indicator** – When the drainage tank is full, the Water Full indicator will illuminate, the appliance will stop operating and beep 15 times to alert the user that the water needs to be emptied from the drainage tank > follow the steps in this manual for “Emptying the Drainage Tank”.

USE

- Plug the appliance in an earthed socket. The appliance will beep once, the power indicator will illuminate.
- Touch the power icon to turn the appliance on, the fans will start operating and the current humidity level will be shown on the display.
- If desired you can follow the steps under – “Using the Control Panel” to set the timer, adjust the fan speed or the humidity level.
- Touch the power icon again to switch the appliance on standby.
- Unplug the appliance when not in use.

Low -Temperature Operation with Automatic Defrost

When the appliance is operating in a room with temp. between 5°C and 12°C it will automatically stop every 30 minutes to defrost.

When the appliance is operating in a room with temp. between 12°C and 20°C, it will be stop every 45 minute to defrost.

EN

USING THE APPLIANCE WITH THE CONNECTED AT HOME APP

Connected at Home

The appliance can be used manually with its built-in controls, remote control or you can use a smart phone or voice to control it. Before you begin, ensure the Connected at Home app is downloaded. The app is available on Android and iOS. Download the Connected At Home App and get started!



Android



iOs

Pair your appliance to the “Connected at Home” app

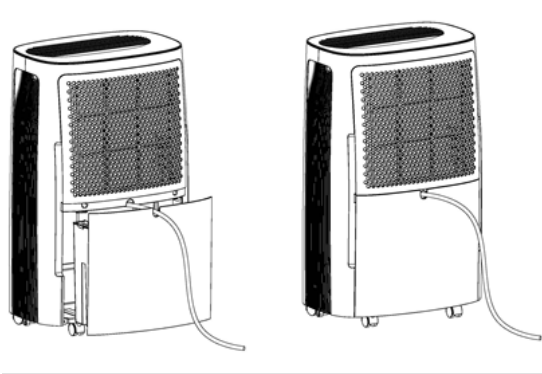
- Make sure the appliance is powered.

- Press the fan speed button for 5 seconds, the Wi-Fi indicator light is flashing rapidly.
- Open Connected at Home app.
- Create an account or if you already have an account, please log in with your details.
- Follow the instructions in the app to connect your appliance with Wi-Fi.

CONTINUOUS WATER DRAINAGE

The appliance features a continuous drainage port.

- Open the tank and attach one end of supplied hose to the water outlet inside the drainage tank and allow the collected water to drain continuously.



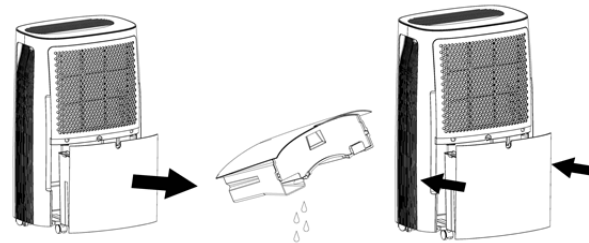
EMPTYING THE DRAINAGE TANK

When the drainage tank is full, the Water Full indicator will illuminate, the operation will stop automatically and the buzzer will beep 15 times to alert the user, that the water needs to be emptied from the drainage tank.

- Lightly press on the sides of the tank with both hands and gently pull out the tank.
- Remove the drainage tank and empty the water.

If the drainage tank is dirty, wash it with cold or lukewarm water. Do not use detergent, scouring pads, chemically treated dust cloths, gasoline, benzene, thinner, or other solvents, as these can scratch and damage the tank and cause water leakage.

- Place the drainage tank back into the appliance. When replacing the drainage tank, press the tank firmly into place with both hands. If the tank is not positioned properly, the "WATER FULL" sensor will be activated, and the appliance will not operate.

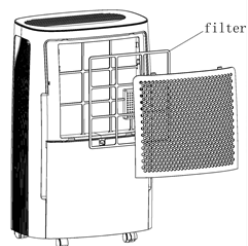


CLEANING MAINTENANCE

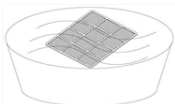
- Before cleaning, be sure to disconnect the unit from any electric supply outlet.
- First clean the surface with a neutral detergent and wet cloth, and then wipe it with a dry cloth.
- Do not use gasoline or other chemicals to clean the unit.

CLEANING THE FILTER

- Unplug the appliance before cleaning.
- Open the filter covering and remove the filter.



- Gently vacuum clean the filter to remove any dirt. If the filter is exceptionally dirty, wash it with warm water and a mild cleanser and dry thoroughly.



- Fit the filter back onto the filter cover and attach it back onto the appliance.

TROUBLESHOOTING

Problem	Possible causes	Suggested solution
The appliance does not work.	Is the power line properly connected?	Connect the plug into the socket.
	The Water Full indicator light is on (water tank full or not in the right place).	Drain the water in the tank
	The room temperature is above 35 degrees or under 5 degrees.	The protection device is active and the appliance cannot be started.
	Is the child lock on?	If the child lock is on, unlock it by touching and holding the child lock button for 5 seconds.
The dehumidification function cannot start.	Is the filter blocked?	Clean the filter according to the cleaning instructions.
	Is the air inlet or outlet blocked?	Remove the obstruction from the air inlet or outlet.
The appliance makes noise.	Is the machine tilted?	Move the machine to a flat, horizontal surface.
	Is the filter blocked?	Clean the air filter according to the cleaning instructions.
No air is discharged	Is the filter blocked?	Clean the air filter according to the cleaning instructions.

STORAGE

- Empty the water in the tank.
- Roll up the power cord.
- Clean the filter.
- Store the unit in a cool and dry place.

DECLARATION OF CONFORMITY

Hereby, Tristar Europe declares that the radio equipment type is in compliance with Directive 2014/53/EU

The full text of the EU declaration of conformity is available at the following internet address: <https://www.tristar.eu/en-gb/tristar-dh-5516bs-dehumidifier-with-wi-fi-dh--5516bs>.

THE PRODUCT OR EQUIPMENT CONTAINS FLUORINATED GREENHOUSE GAS.

Art. nr. DH-5516BS

Coolant: R290

Quantity in kg: 75g

Global Warming Potential: 3

CO2 Equivalent in tonnes: 0.000225

ENVIRONMENT



■ The crossed out wheelie bin symbol means that this product shall not be disposed of with normal household waste. Electronic and Electrical Equipment not included in the selective sorting process are

potentially dangerous for the environment and human health due to the presence of hazardous substances. Please dispose of responsibly at an approved waste or recycling facility.

Support

You can find all available information and spare parts at www.tristar.eu!





TRISTAR Europe B.V.

Swaardvenstraat 65 | 5048 AV | Tilburg
The Netherlands | www.tristar.eu



smartwares® Safety and Lighting Ltd.

West Point, Second Floor | Mucklow Office
Park Mucklow Hill | Halesowen | West
Midlands | B62 8DY United Kingdom |
www.princesshome.co.uk