

PRODUCT INFORMATION

Item number

SZ-4115

Item description

Bagless Vacuum Cleaner

The unequivocal identification of the product (type of product, trademark, trade name, model and possibly serial number)

1.1.A

★★★
TRISTAR

Vacuum cleaner
220-240V~ 50/60Hz 800W
Model No.: SZ-4115

Batch No.:



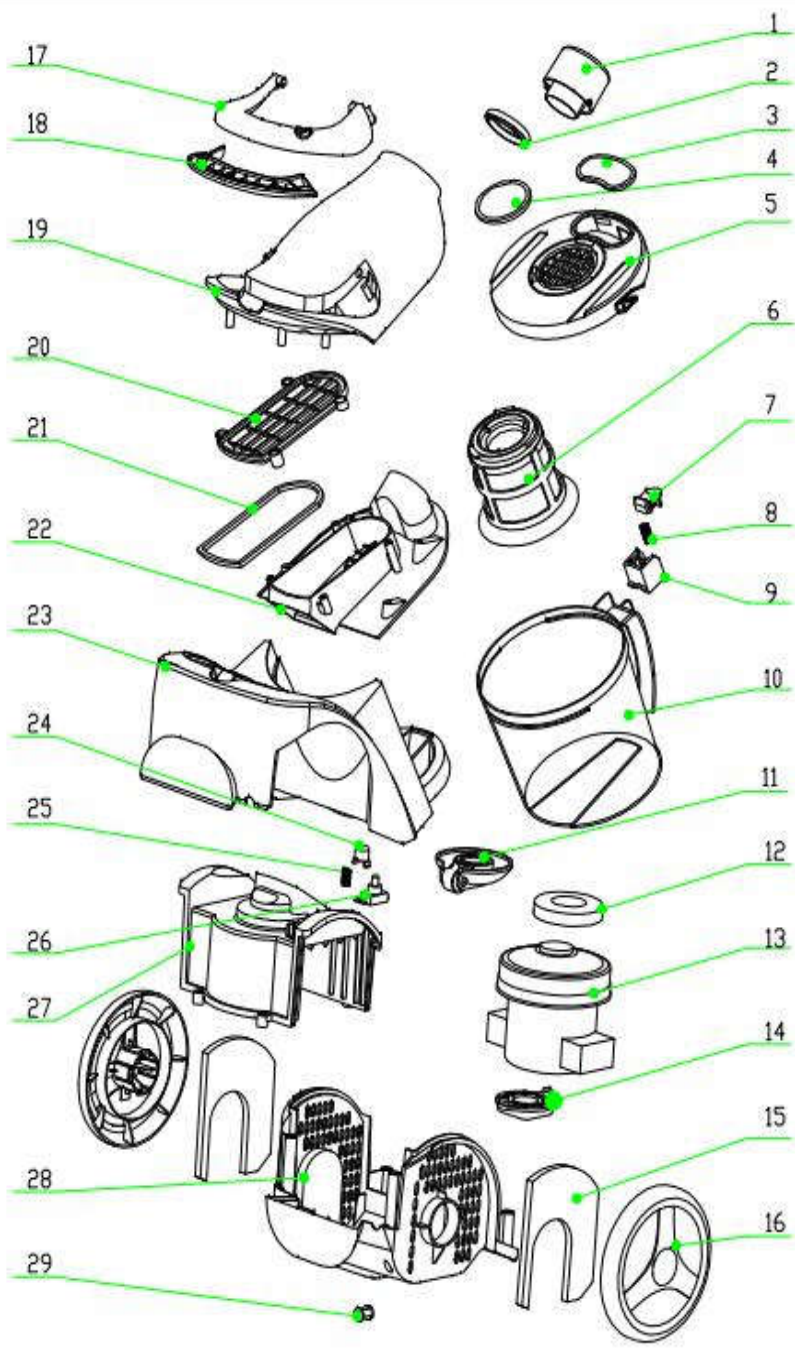
Do not immerse in any liquid / Niet in water onderdompelen
Ne pas plonger dans l'eau / Nicht ins Wasser hineintauchen

Tristar Europe B.V. Swaardvenstraat 65
5048 AV Tilburg | The Netherlands | www.tristar.eu

1.1.B

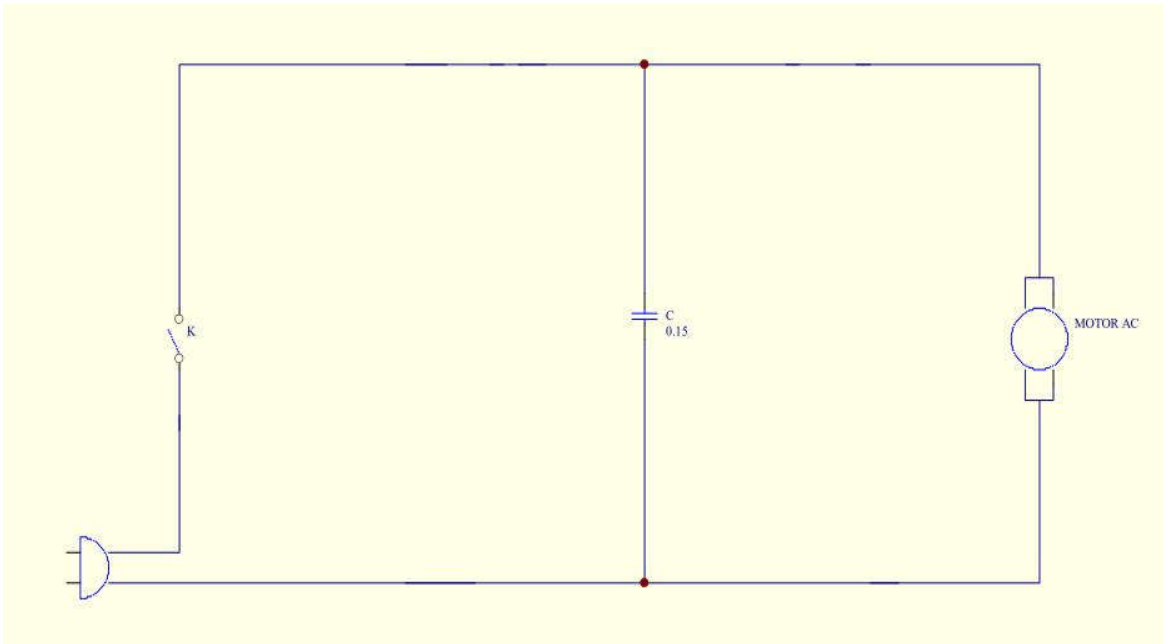
A disassembly map or exploded view

30					
29		出线护套	1	PVC	outlet sleeve
28		底座	1	PP	bottom base
27		电机罩	1	玻纤增强PP	motor cover
26		开关	1		on/off switch
25		开关按钮弹簧	1	碳素弹簧钢	spring of on/off button
24		开关小件	1	ABS	on/off spare part
23		中框	1	ABS	middle cover
22		风道	1	ABS	air outlet
21		风道密封圈	1	发泡橡胶	seal of air outlet
20		风道盖	1	ABS	airlet cover
19		上盖	1	ABS	up cover
18		提手下	1	ABS	low handle
17		提手上	1	ABS	up handle
16		大轮	2		rear wheel
15		出风海绵	2	海绵	outlet sponge
14		电机尾挡圈	1	橡胶	rear ring of motor
13		电机	1		motor
12		电机前挡圈	1	橡胶	front ring of motor
11		万向轮组件	1		universal wheel
10		尘杯	1	透明ABS	dust cup
9		尘杯扣底	1	ABS	bottom of dust cup lock
8		尘杯扣弹簧	1	碳素弹簧钢	spring of dust cup lock
7		尘杯扣	1	ABS	dust cup lock
6		海帕组件	1		hepa
5		尘杯盖	1	ABS	dust cup cover
4		杯盖-出风密封圈	1	橡胶	outlet seal of dust cup cover
3		杯盖-进风密封圈	1	橡胶	inlet seal of dust cup cover
2		进风密封圈	1	PVC	inlet seal
1		主吸管	1	PP	connector
序号	图号	名称	数量	材料	备注



1.1.C

Wiring and connection diagrams



1.1.D	Electronic boards diagrams
	NOT APPLICABLE
1.1.E	List of necessary repair and test equipment
	NOT APPLICABLE
1.1.F	Technical manual of instructions for repair
	NOT APPLICABLE
1.1.G	Diagnostic fault and error codes
	NOT APPLICABLE
1.1.H	Component and diagnosis information
	NOT APPLICABLE
1.1.I	Instructions for software and firmware (including reset software)
	NOT APPLICABLE
1.1.J	Information on how to access data records of reported failure incidents stored on the product
	NOT APPLICABLE
1.1.K	Technical bulletins
	NOT APPLICABLE
1.1.L	(recommended operations, safety and repair instruction, any implications for the guarantee)
	NOT APPLICABLE
1.1.M	How to get access to professional repairers
	NOT APPLICABLE
1.1.N	Failures detection and required action (consumers approach)

Fault	Possible causes	Methods of resolution
The machine does not operate	<ol style="list-style-type: none"> 1. No power is plugged in. 2. The switch is not in the "ON" position. 3. The socket has no power. 4. The motor overheats and the thermal protection starts. 	<ol style="list-style-type: none"> 1. Plug in the power and turn on the switch. 2. Press the switch button. 3. Check the fuse or circuit breaker. 4. Check the dust cup and allow the motor to cool naturally for 2 hours, then turn on the switch. "
The suction of the vacuum cleaner is not enough	<ol style="list-style-type: none"> 1. The dust cup is full or blocked. 2. The hose is damaged. 3. The hose is poorly connected. 4. The suction nozzle is blocked. 	<ol style="list-style-type: none"> 1. Clean the dust cup or check the exhaust device. 2. Replace the hose. 3. Reinstall the hose. 4. Check the exhaust hole of suction nozzle.

1.1.O

User and maintenance instructions

IMPORTANT

1. To ensure safe and correct use of your product, do not operate without first reading this operation manual thoroughly.
2. To avoid shortening the life span or damaging your product, do not use the machine with part or accessories not recommended by this manual. Use only original spare parts or accessories.
3. Do not allow children or unsuitable persons to operate the system.
4. Ensure that the vacuum cleaner is placed on a flat surface when in operation.
5. Do not touch the main plug with wet hands. Do not operate the machine with wet hands. Do not operate the machine in an excessively wet environment.
6. Do not put any object into openings. Do not use with any opening blocked; keep free of dust, lint, hair and anything that may reduce airflow.
7. Keep hair, loose clothing, fingers, and all parts of body away from openings and moving parts.
8. Do not use the machine for vacuuming hot or burning objects including ash.
9. Turn off the control before unplugging
10. Do not use the machine for vacuuming any type of chemicals, acids or solvents. This will damage the machine.
11. Do not use the product near explosive materials, inflammable liquids or any type of gas. Such usage can cause fire or explosions.
12. Keep end of hose, wands and other openings away from your face and body
13. Do not use for any purpose other than described in this user's guide.
14. Using improper voltage may result in damage to the motor and possible injury to the user. correct voltage is listed on the rating label.
15. Do not disconnect the AC plug from the main outlet roughly. Never remove the AC plug by pulling the cord; always pull out the plug by holding the plug itself.
16. Do not connect or disconnect the AC plug from the main outlet with wet hands. This may result in an electrical shock.
17. Always switch-off your machine and disconnect the AC plug from the main outlet when the appliance is not in use.
18. Do not use your machine if the AC cord or plug is damaged.
19. If the cleaner is damaged, it must be repaired by the manufacturer or its service agent or a similarly qualified person in order to avoid a hazard.
20. This appliance is not intended for use by children or other persons without assistance or supervision, if their physical, sensory or mental capabilities prevent them from using it safely. Children should be supervised to ensure that they do not play with the appliance.
21. If the supply cord is damaged, it must be replaced by the manufacturer or its service agent or a similarly qualified person in order to avoid a hazard.
22. The vacuum cleaner must not be left unattended while it is connected the supply mains.
23. This vacuum cleaner is for household use only
24. The plug must be removed from the socket-outlet before cleaning or maintaining the vacuum cleaner.