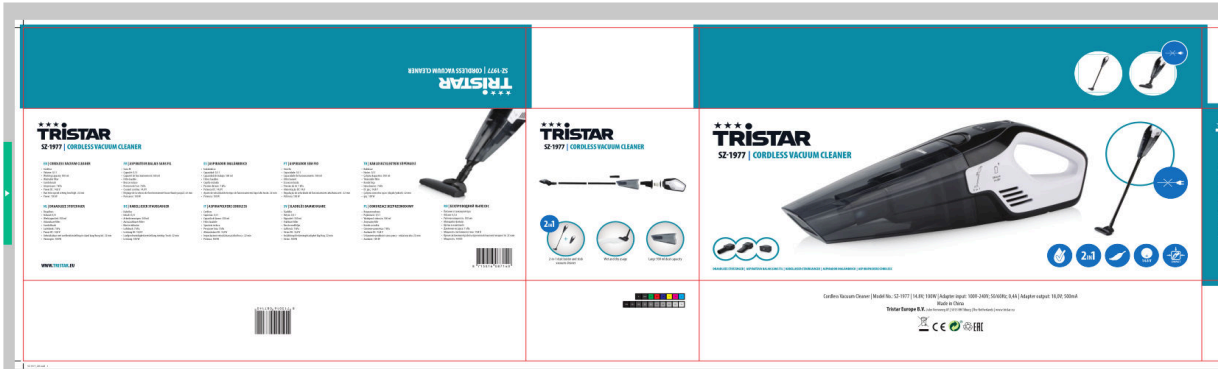


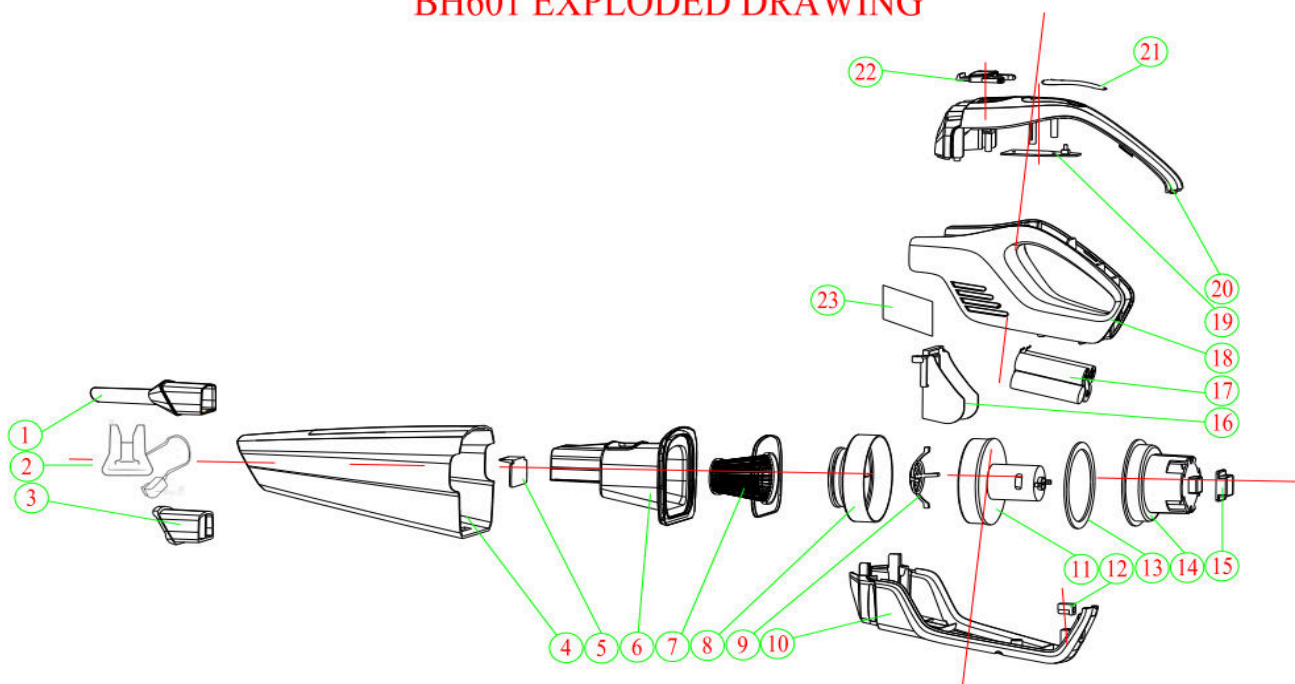
type of the product    cordless stick vacuum cleaner  
 trademark                Tristar  
 trade name              smartwaresgroup  
 model                     SZ-1977  
 serial number            TPO205854

The unequivocal identification of the  
 product  
 (type of product, trademark, trade  
 name,

1.1A



## BH601 EXPLODED DRAWING



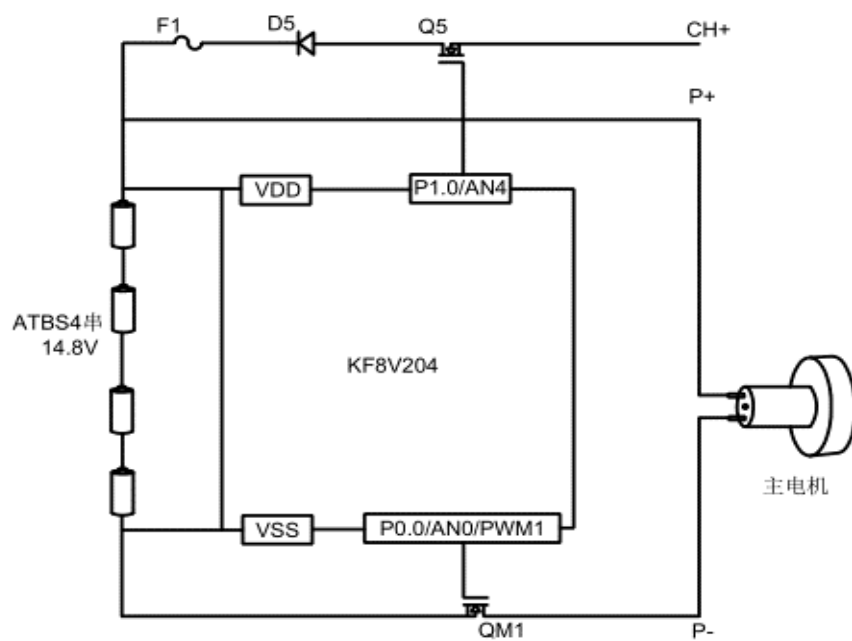
BH601 充电吸尘器爆炸图清单



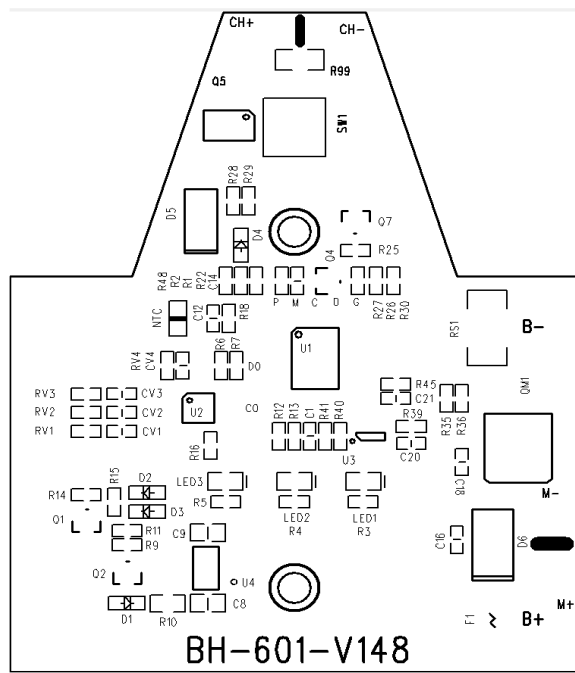
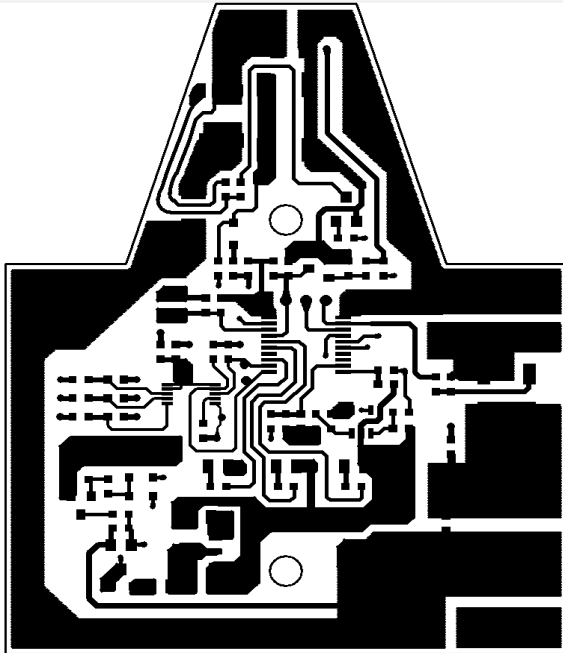
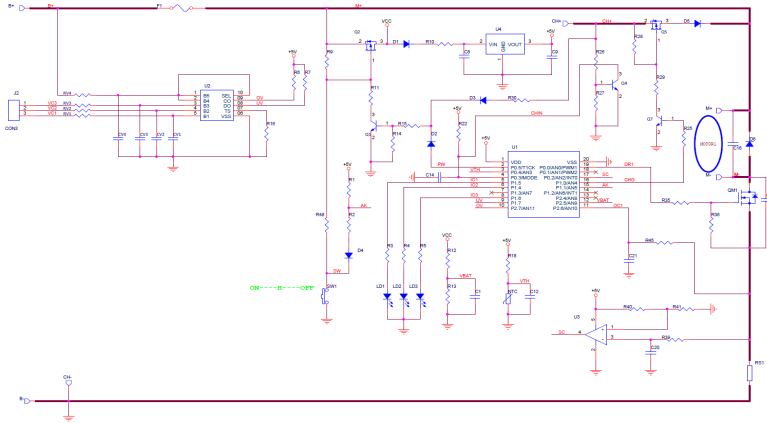
序号	名·····称	数量	材·····料	英文名称
1	扁吸	1	ABS	Nozzle
3	吸水刷	1	橡胶	Rubber head
4	尘杯	1	透明 ABS	Dust tank
5	挡风片	1	橡胶	Wind shield
6	过滤架组件	1	ABS	Plastic filter
7	进风海帕组件	1		HEPA
8	电机密封圈	1	橡胶	Seal ring
9	进风档片	1	ABS	Inlet shield
10	底盖	1	ABS	Base
11	电机	1		Motor
12	充电口	1		Charging port
13	电机减震圈	1	EVA	Motor shock absorber ring
14	电机罩	1	ABS	Motor cover
15	电机压座	1	橡胶	Motor seat
16	电池固定架	1	ABS	Battery frame
17	电池组件	1		Battery pack
18	机壳	1	ABS	Main Plastic part
19	开关	1		On/off switch with PCB
20	上盖	1	ABS	Front cover
21	贴片	1		sticker
22	尘杯锁扣	1	ABS	Release button for dust tank
23	出风海绵	1		Outlet sponge filter

1.1C

Wiring and connection diagrams



1.1 D Electronic boards diagrams



### 1.1E List of necessary repair and test equipment

1. screws loose: use the screwdriver to tighten it,
2. wire loose: connect the wire with the tape
3. plastic break: connect with the glue.

## Defective product testing process

一、 → Visual inspection: check whether it is due to wire disconnection and metal terminal loss, components dislocation, components collision and other bad phenomena

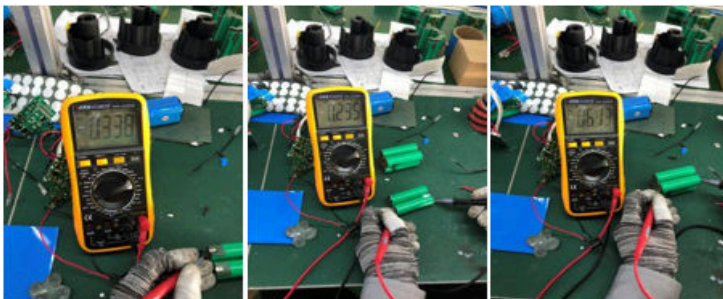


二、 → Charging detection: After plugging in the charger, check whether the indicator display status is normal and whether the charging current is normal. If abnormal, check the fuse for damage. (Adjust the multimeter to the resistance gear, and measure the two ends of the fuse with the red and black table. When Figure 1, the beep, the fuse is in good condition. When Figure 2, that is, the multimeter does not respond, the resistance value is infinite, then the fuse is damaged and the fuse needs to be replaced)



三、 → Discharge test: connect the battery pack to the motor, press the switch, the battery pack does not respond, check several aspects:

1. Fuse: point the multimeter to the 20v gear, and measure the voltage of each cell with the meter pen to detect whether it is empty. The following figure below shows the voltage emptying



2. mos tube: the multimeter to diode gear (mos tube belongs to semiconductor components, with this gear measurement is more accurate), with positive and negative table pen measuring mos tube  $gd_s$ , when one end data is zero, one end data (figure 2), the mos intact, when both have data (figure 1), the mos tube is breakdown, need to be replaced new

### **1.1F Technical manual of instructions for repair**

If the device is to be disposed of, it is best to remove the battery. Used batteries should not be disposed of with household waste; it should always be taken to the recycling center of the local authority. If you are unable to disassemble the product yourself, the local authorities recycling center will dispose of the product

for you in an environmentally sound manner.

In the event of product failure or damage, all inspections and repairs must be performed by a qualified electrician or technician.

### **1.1G Diagnostic fault and error codes**

LED lights flash for different error codes

1. less power while using : LED lights flash until power off
2. high current protect: LED lights flash 10 times, then end.
3. wire loose: LED lights flash 1 time, and end.

1.1.H	Component and diagnosis information	not applicable for this product
1.1.I	Instructions for software and firmware (including reset software)	not applicable for this product
1.1.J	Information on how to access data records of reported failure incidents stored on the product	not applicable for this product
1.1.K	Technical bulletins	not applicable for this product
1.1.L	Specific guidance for self-repair (recommended operations, safety and repair instruction, any implications for the	not applicable for this product
1.1.M	How to get access to professional repairers	not applicable for this product



### **1.1N Failures detection and required action (consumers approach)**

1. The machine does not work.

The battery runs out----pls charge the battery.

2. The machine does not suck or gently sucks stuff.

The dust cup is full or blocked---- empty the dust cup and the filters.

The dust cup is not correctly assembled---correctly place the container and solidly assemble it.

The filter need to be cleaned--- follow the instructions how to clean the filter

3. The machine can not be charged

The adaptor is not correctly connected with the socket----check whether the charger and socket is solidly connected.

The charger is wrong-----use only with the charger which is complimentary in the package.

