

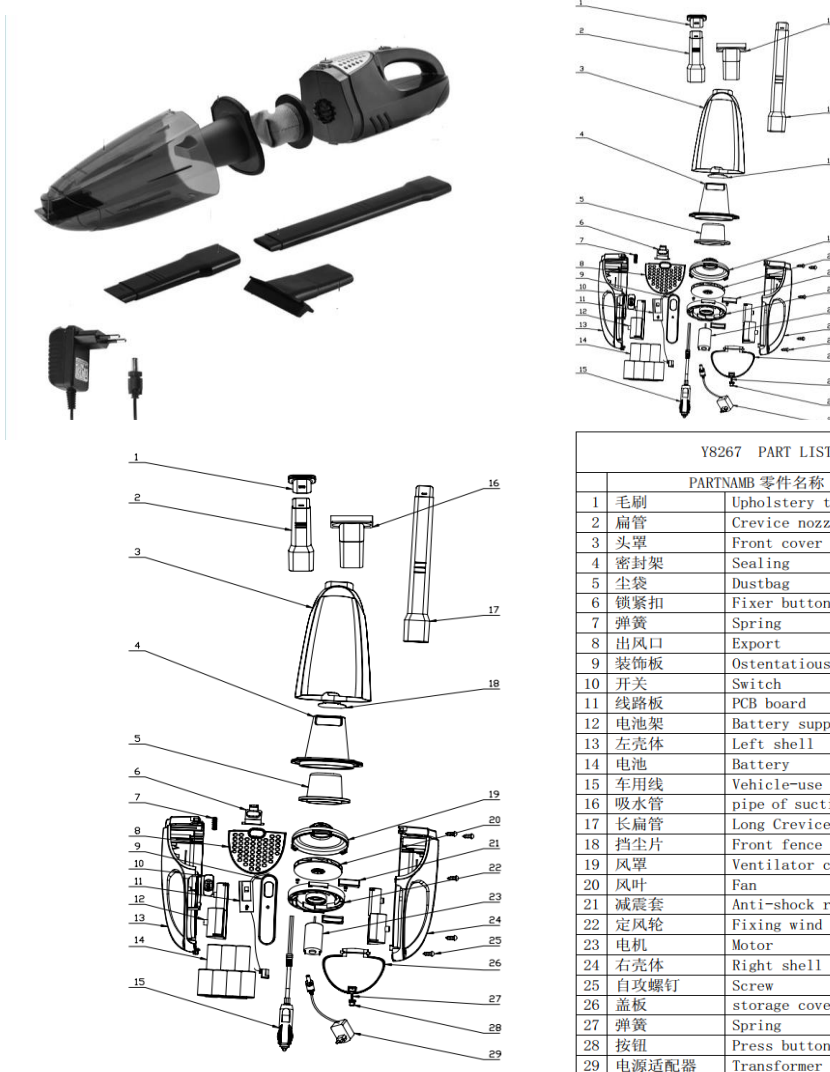
PRODUCT INFORMATION

Item number KR-3178
 Item description Bagged Vacuum Cleaner

1.1.A The unequivocal identification of the product (type of product, trademark, trade name, model and possibly serial number)

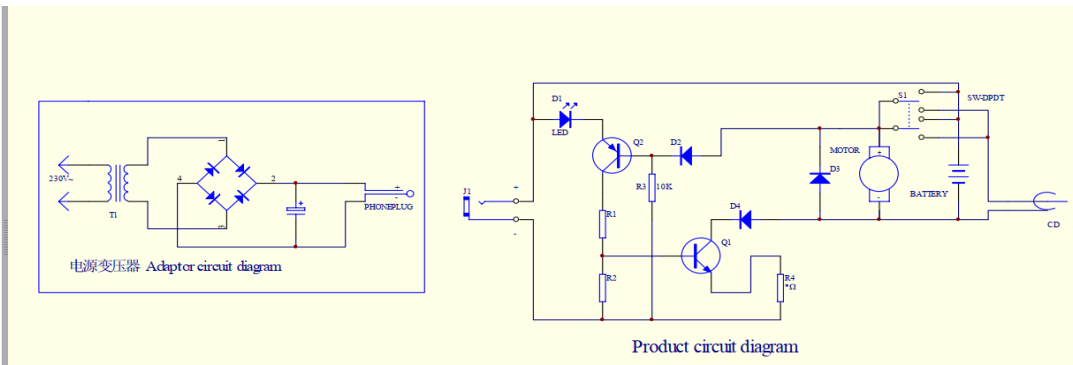


1.1.B A disassembly map or exploded view



1.1 C

Wiring and connection diagrams

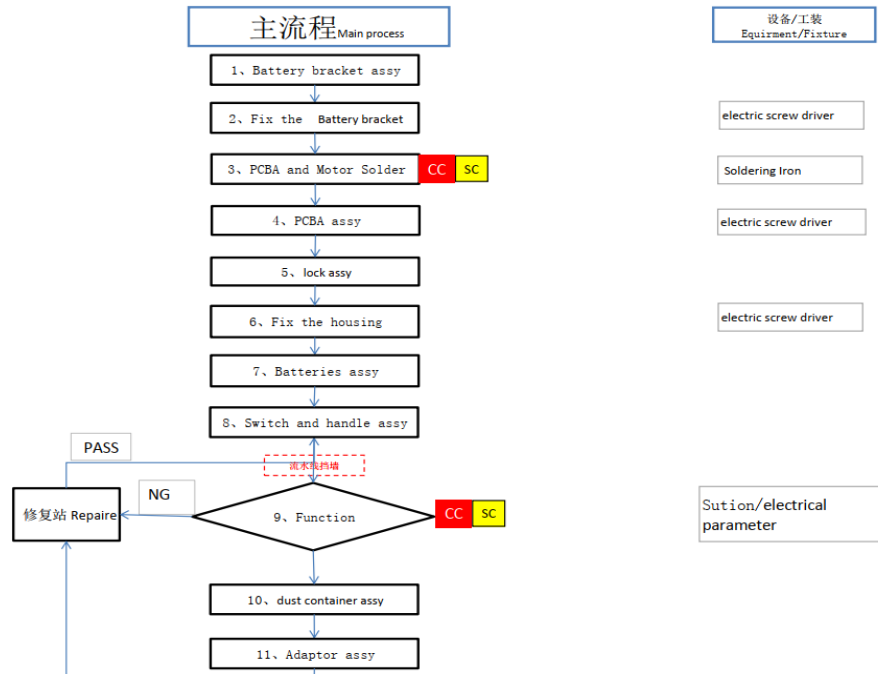


1.1. D

Electronic boards diagrams



1.1. E List of necessary repair and test equipment



1.1. G Diagnostic fault and error codes

故障现象和故障排除列表 Symptom and troubleshooting list

- ☞ Troubleshooting by yourself
- ☞ To ensure that you do not encounter any problems, it is important to empty the dust container regularly and take this opportunity to check the filters and dean them if they are dirty. However, if you do encounter any problems with the appliance, use the following table to determine whether you can solve the problem yourself
- ☞ Before trouble shooting, switch off the appliance and disconnect the power plug from the socket

Problem	Possible cause/solution
Appliance cannot be switched on	The rechargeable battery is completely empty: the LEDs on the handle are no longer illuminated. Switch off the appliance and charge the rechargeable battery
The appliance cannot be charged (LED does not light up)	The mains adapter or appliance is not corrective inserted: Check whether the appliance is property in place in the wall mount. Check whether the mains adapter is seated correctly in the socket
The rechargeable battery is fully be charged but the appliance is hardly picking up any dirt	The dust container needs to be emptied or the filter needs to cleaned
Operating duration is becoming ever shorter.	The brush roller is soiled and needs to be cleaned
The brush roller rotates slowly or irregularly	The brush roller is soiled and needs to be cleaned

